



Project _____
 AIA # _____ SIS # _____
 Item # _____ Quantity _____ C.S.I. Section 114000



4812 MEAT CHOPPER

4812
Meat Chopper



MODEL

4812 Meat Chopper

STANDARD FEATURES

- + ½ HP motor
- + Manual ON/OFF switch
- + 6 food cord & plug
- + 174 RPM transmission
- + Stainless steel housing
- + Stainless steel legs with rubber feet
- + Spiral-fluted chopping end
- + Plastic feed stomper
- + #12 Stay-Sharp knife

ACCESSORIES

- #12 Stay-Sharp knife and plates
- #12 stuffing horns
- Rectangular and round pans



SPECIFIER STATEMENT

Specified unit will be an NSF rated Hobart meat chopper with ½ HP motor. Chopper features #12 attachment hub, stainless steel finish and spiral-fluted chopping end. Unit processes 8 pounds per minute and includes Stay-Sharp knife and ⅝" diameter grind plate. Additional grind plate sizes can be purchased separately.

Approved by _____ Date _____ Approved by _____ Date _____



SOLUTIONS/BENEFITS

PERFORMANCE

Stay-Sharp Knife & Plates

- + Hardened, alloy steel holds its edge longer than standard carbon steel
- + Can be resharpened many more times than regular plates

½ HP Motor

- + Power to handle tough jobs
- + Ample ventilation ensures cool operation and long life

EASE OF USE

Knife, Plate, and Plastic Stomper Included

- + Everything you need to start working

SANITATION & CLEANING

Heavily Tinned Cylinder, Worm, and Adjusting Ring

- + Protects against oxidation
- + Provides easy-to-clean finish

Stainless Steel Finish

- + Easy to clean and exceptionally durable

SPECIFICATIONS

Electrical: 120/60/1; 7 amps, 240/60/1; 3.5 amps – UL listed. 230/50/1; 3.5 amps – not submitted for UL listing.

Motor: ½ HP, four pole, capacitor start-capacitor run, AC induction motor. Motor ventilation is provided through screened openings in the base, assuring cool operation.

Switch: Mounted at back of machine (can be switched to the front).

Cord and Plug: A 6 foot, flexible 3-wire cord is furnished on some models – see machine voltages table for models that include a cord and plug.

Transmission: Precision made gears and shafts mounted on ball bearings are fully enclosed in the transmission case, packed with a special grease at the factory. Worm speed is 174 RPM for 60 Hz, 150 RPM for 50 Hz.

Capacity: This unit will grind 8 pounds per minute through a ⅛" plate on first cutting.

Plugs and Receptacles:

Dependent on local power codes

Machine Voltages	
4812	120/60/1
Service Current Requirement if Plug Connected	120/60/1
	15 Amp.
Terminal Designation of Plug	2 Pole 3 Wire Grdg.
NEMA Plug Configuration	5-15P
Plug Configuration	
Molded Plug on Cord	Yes
Plug – Straight/Angle	Straight
NEMA Receptacle or Connector Configuration	5-15R
Power Cord Included	Yes

Cord and plug only furnished on 120/60/1 voltage models.

Finish: Standard finish is a stainless steel housing. Stainless steel trim plate is provided at the attachment opening, and polished stainless steel legs are cushioned on the bottom with neoprene rubber.

Chopping End: Hobart spiral-fluted type, with flutes of cylinder timed to speed and pitch of the chopping worm. The protective type chopping end is heavily tinned and the rectangular feed pan is stainless steel. A Stay-Sharp knife, heat treated steel plates and a plastic feed stomper are provided. All parts which contact food, including cylinder, worm, knife, plate, adjusting wheel, and feed pan, are removable for cleaning. The entire end can be removed by loosening the holding screw extending from the corner of the housing.

Warranty: Unit has full one-year warranty on parts, labor, and mileage against manufacturer's defects.

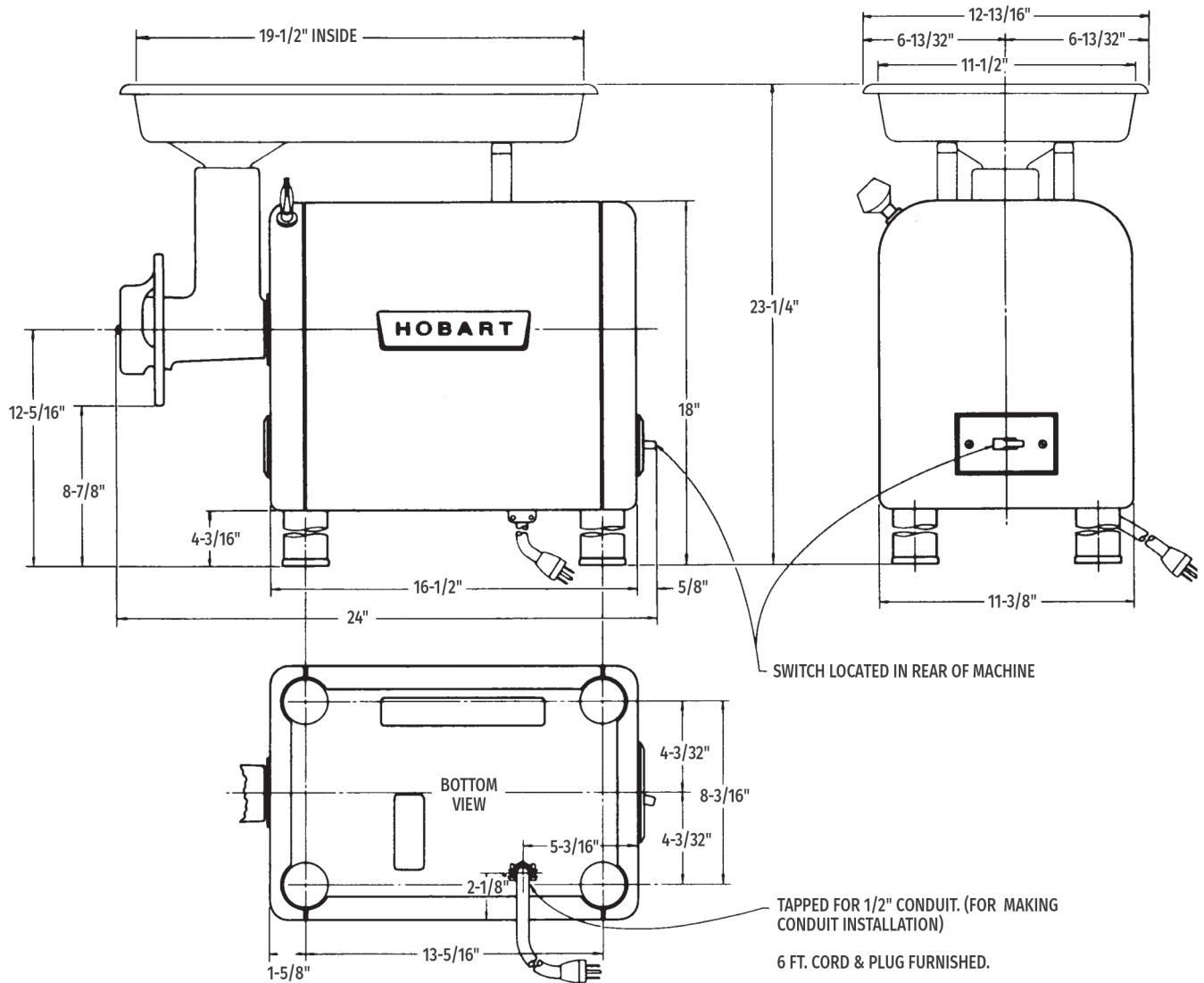
Weight:

Base Unit: Shipping – 90 lbs.; Net – 70 lbs.

Chop End: Shipping – 19 lbs.; Net – 18 lbs.

Pan: Shipping – 5 lbs.; Net – 4 lbs.

DETAILS AND DIMENSIONS



WARNING: Electrical and grounding connections must comply with the applicable portions of the National Electrical Code and/or other codes in force.