



Project \_\_\_\_\_  
 AIA # \_\_\_\_\_ SIS # \_\_\_\_\_  
 Item # \_\_\_\_\_ Quantity \_\_\_\_\_ C.S.I. Section 114000



4822 MEAT CHOPPER

**4822**  
**Meat Chopper**



**MODEL**

- 4822** Meat Chopper

**STANDARD FEATURES**

- + 1½ HP motor (1¼ HP for 230/50/1 unit)
- + Manual ON/OFF switch
- + 6 foot cord & plug
- + 212 RPM transmission (180 RPM for 230/50/1 unit)
- + Stainless steel housing
- + Stainless steel legs with rubber feet
- + Spiral-fluted chopping end
- + Plastic feed stomper
- + #22 Stay-Sharp knife

**OPTIONS**

- Funnel-shaped (FS) cylinder

**ACCESSORIES**

- #22 Stay-Sharp knife and plates
- #22 stuffing horns
- Rectangular and round pans

**SPECIFIER STATEMENT**

Specified unit will be an NSF rated Hobart meat chopper with 1.5 HP motor. Chopper features #22 attachment hub, stainless steel finish and spiral-fluted chopping end. Unit processes 12-20 pounds per minute and includes Stay-Sharp knife and ½" diameter grind plate. Additional grind plate sizes and funnel shaped cylinder can be purchased separately.

Approved by \_\_\_\_\_ Date \_\_\_\_\_ Approved by \_\_\_\_\_ Date \_\_\_\_\_



## SOLUTIONS/BENEFITS

### PERFORMANCE

#### Stay-Sharp Knife & Plates

- + Hardened, alloy steel holds its edge longer than standard carbon steel
- + Can be resharpened many more times than regular plates

#### 1½ HP Motor

- + Power to handle tough jobs
- + Ample ventilation ensures cool operation and long life

### EASE OF USE

#### Knife, Plate, and Plastic Stomper Included

- + Everything you need to start working

### SANITATION & CLEANING

#### Heavily Tinned Cylinder, Worm, and Adjusting Ring

- + Protects against oxidation
- + Provides easy-to-clean finish

#### Stainless Steel Finish

- + Easy to clean and exceptionally durable

## SPECIFICATIONS

**Electrical:** 120/60/1; 12 amps, 240/60/1; 6 amps, 208-240/60/3; 3.4 amps – UL listed. 230/50/1; 6 amps – not submitted for UL listing.

**Motor:** 1½ HP (1¼ HP for 230/50/1), four pole, capacitor start-capacitor run type. Three phase is poly-phase, induction type. AC induction motor. Motor ventilation is provided through screened openings in the base, assuring cool operation.

**Switch:** Mounted at back of machine (can be switched to the front).


**Cord and Plug:** A 6 foot, flexible 3-wire cord is furnished on some models – see machine voltages table for models that include a cord and plug.

**Transmission:** Precision made gears and shafts mounted on ball bearings are fully enclosed in the transmission case, packed with a special grease at the factory. The attachment hub has a double seal, designed to exclude meat juices or water from the transmission. Worm speed is 212 RPM for 60 Hz, 180 RPM for 50 Hz.

**Capacity:** 16 pounds per minute through a ½" plate on first cutting. FS option will grind 20 to 22 lbs per minute through a ½" plate on first cutting.

### Plugs and Receptacles:

Dependent on local power codes

Machine Voltages	
4822	120/60/1
<b>Service Current Requirement if Plug Connected</b>	120/60/1
	15 Amp.
<b>Terminal Designation of Plug</b>	2 Pole 3 Wire Grdg.
<b>NEMA Plug Configuration</b>	5-15P
<b>Plug Configuration</b>	
<b>Molded Plug on Cord</b>	Yes
<b>Plug – Straight/Angle</b>	Straight
<b>NEMA Receptacle or Connector Configuration</b>	5-15R
<b>Power Cord Included</b>	Yes

Cord and plug only furnished on 120/60/1 voltage models.

**Finish:** Standard finish is a stainless steel housing. Stainless steel trim plate is provided at the attachment opening, and polished stainless steel legs are cushioned on the bottom with neoprene rubber.

**Chopping End:** 4822 has a Hobart protective type chopping end, with cylinder of the spiral-fluted design. FS option has a guarded open bowl type chopping end. A heavy cast aluminum safety guard is supported by vertical posts permanently mounted on the cylinder. The cylinder, worm and adjusting ring are all heavily tinned. A heat-treated steel knife and plate and plastic feed stomper are provided.

**Feed Pan:** Stainless steel pan – 19½" x 11½" x 2½" inside dimensions. FS option has stainless steel pan – 33" x 15¾" x 3¾."

**Warranty:** Unit has full one-year warranty on parts, labor, and mileage against manufacturer's defects.

### Weight:

**Base Unit:** Shipping – 110 lbs.; Net – 90 lbs.

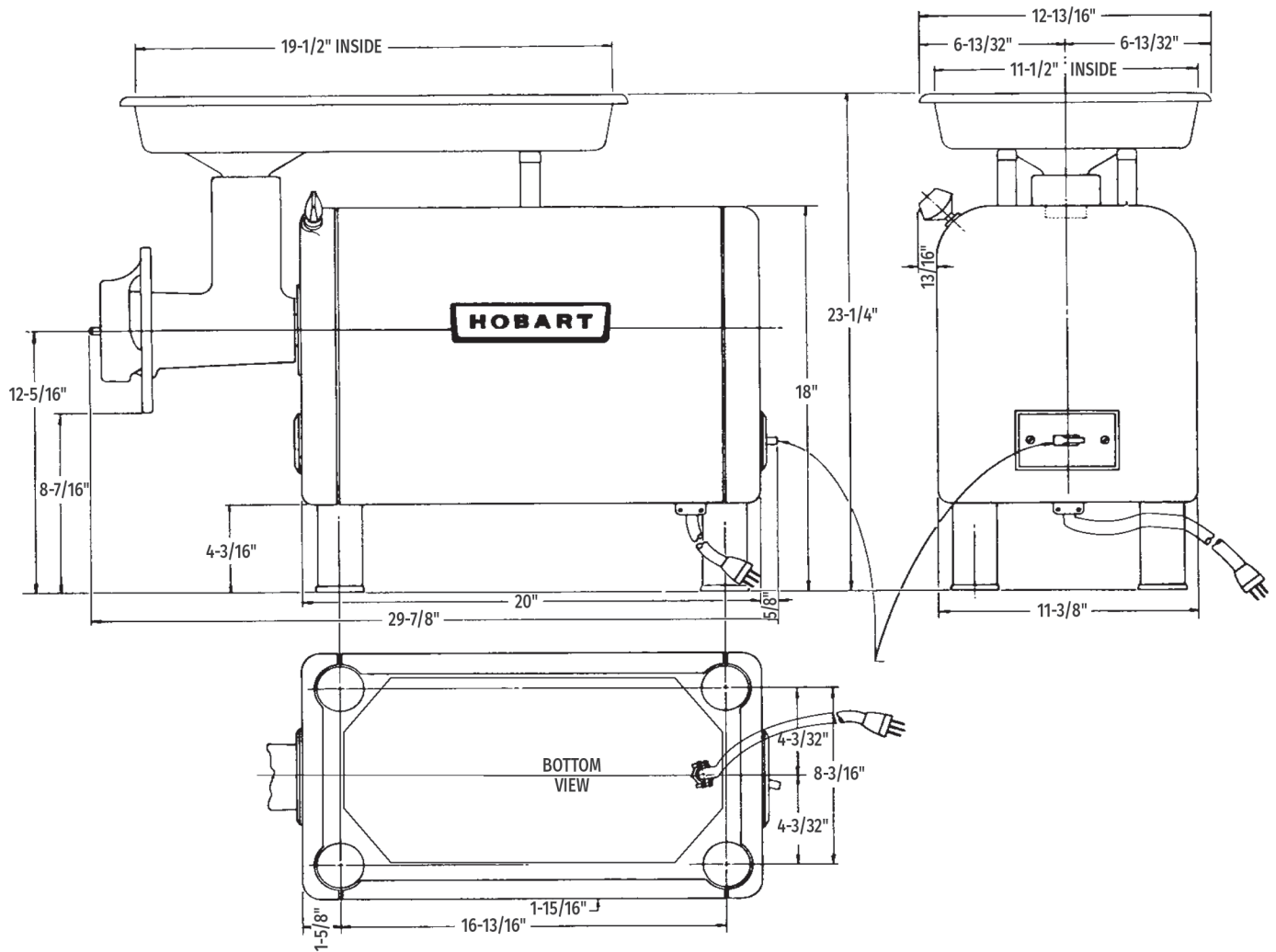
**Chop End:** Shipping – 27 lbs.; Net – 26 lbs.

**Chop End, FS:** Shipping – 34 lbs.; Net – 31 lbs.

**Pan:** Shipping – 5 lbs.; Net – 4 lbs.

**Pan, FS:** Shipping – 17 lbs.; Net – 17 lbs.

### DETAILS AND DIMENSIONS



**WARNING:** Electrical and grounding connections must comply with the applicable portions of the National Electrical Code and/or other codes in force.