



Project _____
 AIA # _____ SIS # _____
 Item # _____ Quantity _____ C.S.I. Section 114000



6614 VERTICAL MEAT SAW

6614 Vertical Meat Saw



6614



6614-1IP**



MODELS

- 6614** Vertical meat saw, cutting clearance 12½" D x 15¼" H x 20" W

STANDARD FEATURES

- + Reduced footprint
- + 3 HP motor
- + Direct gear drive transmission
- + Tri-rail carriage
- + Open frame stainless steel construction
- + Center crown pulley
- + Removable double flanged pulleys
- + Split rear table
- + Direction grain stainless steel
- + Pivoted automatic tension
- + Stainless steel top cover
- + Adjustable legs

ADDITIONAL MODEL WITH OPTIONAL FEATURES**

- Includes standard features above
- Integrated pusher carriage**

OPTIONAL FEATURES & ACCESSORIES

- Cord & plug (200-230/60/3 only), 6 foot power cord with NEMA L15-20P plug
- Pusher plate for securing meat on carriage tray

SPECIFIER STATEMENT

Specified unit will be an NSF rated Hobart vertical meat saw with a cutting clearance of 12½" D x 15¼" H x 20" W. Features a 3 HP motor and direct gear drive transmission with a blade speed of 3500 fpm. Meat saw has adjustable legs, pivoted automatic tension, and movable carriage tray. Unit has an open frame stainless steel construction, two-piece table and removable double flanged pulleys for easy cleaning and sanitation.

Approved by _____ Date _____ Approved by _____ Date _____

SOLUTIONS/BENEFITS

PERFORMANCE

3 HP Motor

Direct Gear Drive Transmission

- + No belts to replace, slip, adjust or break
- + Helical gear reduction
- + 3500 fpm blade speed

Stationary Cutting Table

- + 18 $\frac{3}{4}$ " x 34 $\frac{1}{2}$ " heavy stainless steel with turned down edges for rigidity
- + Fully supported for heavy duty use and stacking space
- + Two-piece table for easy break down and cleaning

EASE OF USE

Adjustable Legs

- + Adjust machine height for easier, more comfortable use

Pivoted Automatic Tension

- + Motor, transmission, and lower pulley assembly is pivot mounted
- + Blade tension control easily accessible below table
- + Easily adjusts for broad blade length tolerance

Removable Double-Flanged Pulleys

- + Removes without tools
- + Bright tinned cast iron upper and lower blade pulleys
- + Blade retaining double flanges and center crown for long life without loss of blade integrity
- + True running of the blade ensured by precision pulley balance

Integrated Pusher Carriage**

- + Fully integrated pusher incorporates this convenience feature into the carriage system making it easier to locate and operate.
- + When not in use, pusher can be rotated out of the way.
- + No tools needed for disassembly for cleaning, minimal parts for sanitation

Rugged Gauge Plate

- + 6 $\frac{3}{4}$ " x 16 $\frac{3}{4}$ " stainless steel plate on aluminum cast frame
- + Easily disengaged for adjustment
- + Adjustment gives quick, positive regulation of cut thickness with precision
- + Exclusive design of gauge plate end permits quick removal of cuts for stacking

SANITATION & CLEANING

Open-Frame Construction

- + Hose down and power wash capabilities (up to 1100 PSI)

Enclosed Bone Dust System

- + Large lower scrap pan traps dust

Easy Part Removal

- + No tools needed to remove both pulleys, blade cleaners and guide assemblies
- + Lower "lift-out" guide assembly has stainless steel blade guide
- + Built-in tungsten carbide blade back-up block assembly is removable

OPERATOR ASSURANCE

Upper and Lower Blade Guards

- + Blade guarded above and below cutting zone
- + Blade remains accessible

Pusher Plate

- + Eliminates need to handle items close to blade

Movable Carriage Tray

- + 14 $\frac{1}{2}$ " D X 19 $\frac{3}{4}$ " W
- + Stainless steel, turned down edges reinforces rigidity
- + Stepped front edge and stainless steel ball bearings to move carriage quickly and easily
- + Tri-rail carriage support assures stability
- + Carriage lock is standard

SPECIFICATIONS

Motor: 3 HP motor; Totally enclosed, water resistant, flange mounted with grease-packed ball bearings.

Electrical: Available in 200-240/60/1, 200-230/60/3, 208-240/60/3, 460/60/3. Also available in 380-415/50/60/3, not submitted for UL listing.

Switch: Single pull-to-start, push-to-stop switch. Heater with controls to prevent moisture condensation on electrical components.

Adjustable Leg Height: 2" (standard) 1 $\frac{3}{4}$ " to 2 $\frac{1}{4}$ ".

Optional Leg Height: 4" – 3 $\frac{3}{4}$ " to 4 $\frac{1}{4}$ ".

Saw Blade: $\frac{5}{8}$ " wide x 126" long.

Capacity: Cutting clearance is 12 $\frac{1}{2}$ " D x 15 $\frac{1}{4}$ " H x 20" W.

Finish: Stainless steel open frame design.

Warranty: 1-year parts, labor, and travel during normal working hours within the USA.

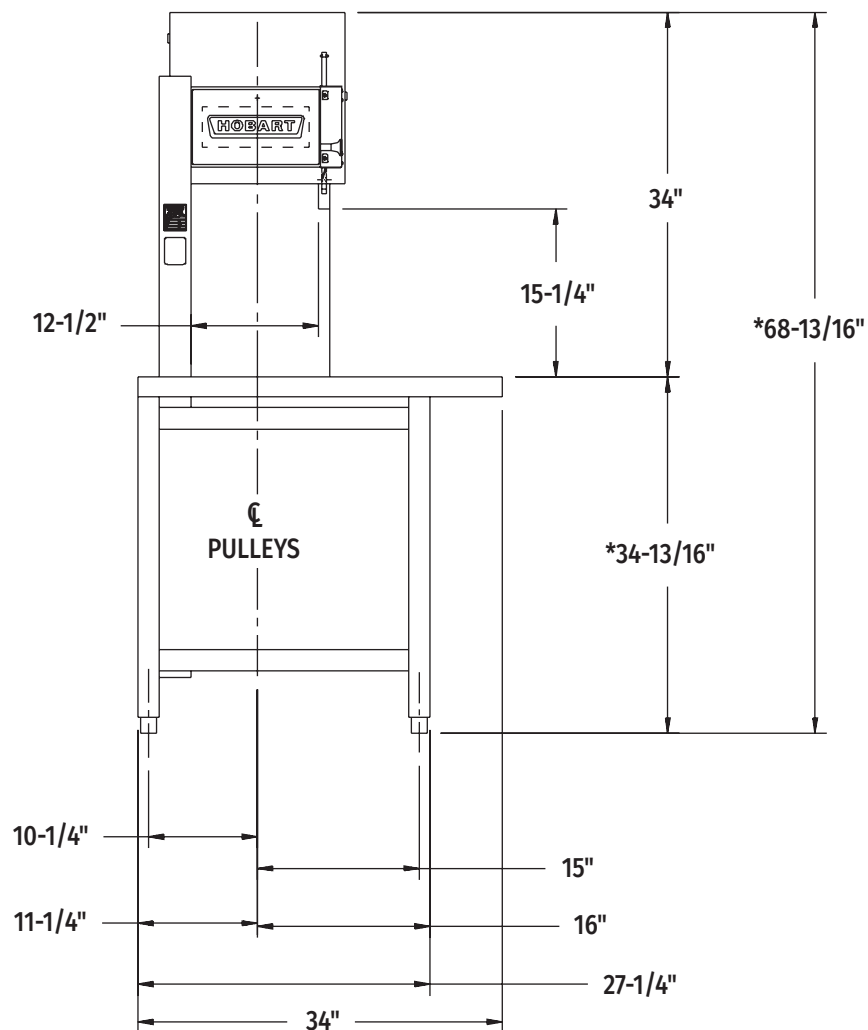
Weight: Shipping - 550 lbs. Net - 410 lbs.

LEGEND

Electrical Connections	
E1	Electrical connection

WARNING: Electrical and grounding connections must comply with the applicable portions of the National Electrical Code and/or other local electrical codes. Connection of conduit to base must be made using a waterproof fitting of proper size and design.

DETAILS AND DIMENSIONS



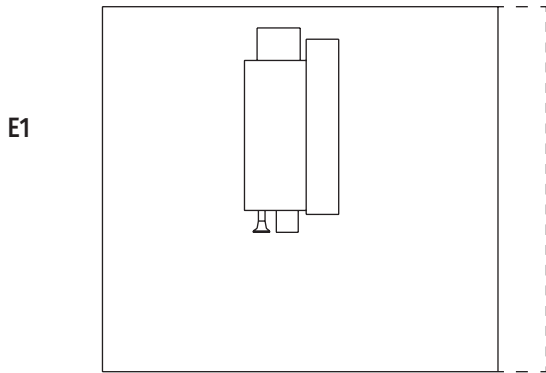
* THESE DIMENSIONS MAY INCREASE AS MUCH AS 1" DEPENDING ON LEG ADJUSTMENT.

E3 ** SAW SUPPLIED WITH 1/2" LIQUIDTIGHT CORD STRAIN RELIEF.



6614 Vertical Meat Saw

DETAILS AND DIMENSIONS



7.8" DIA. HOLE LOCATED AS SHOWN ON BACK OF COLUMN FOR CABLE OUTLET

