

**HOBART**701 S Ridge Avenue, Troy, OH 45374  
1-888-4HOBART • www.hobartcorp.com**FOOD MACHINE  
ACCESSORY TABLES****HOBART****STANDARD FEATURES**

- Heavy gauge stainless steel tops, legs, and shelves
- Models MIXER-TABLE2, 205025, and 205026 have chrome plated adjustable leveling feet
- Model TABLE-HL2012 has four locking casters

**MODELS**

- Model TABLEHW-HL2012 Mixer Table**  
Single Shelf Model  
27 x 32 inches x 26<sup>3</sup>/<sub>4</sub>" inches high  
Includes 4 locking casters, pre-drilled holes for mixer, 4 pegs for storage of beaters, whips, dough arms, etc.  
For use with Hobart 5, 12 and 20 quart mixers
- Model CUTTER-TABLE3 (205025)**  
**Food Cutter Table**  
Single Shelf Model  
27 x 32 inches x 31<sup>7</sup>/<sub>8</sub>" inches high  
For use with Hobart 84145 or 84186 Food Cutter
- Model CUTTER-TABLE4 (205026)**  
**Food Cutter Table**  
Double Shelf Model  
27 x 32 inches x 31<sup>7</sup>/<sub>8</sub>" inches high  
For use with Hobart 84145 or 84186 Food Cutter

Specifications, Details and Dimensions on Inside and Back.

**FOOD MACHINE ACCESSORY TABLES**

# FOOD MACHINE ACCESSORY TABLES

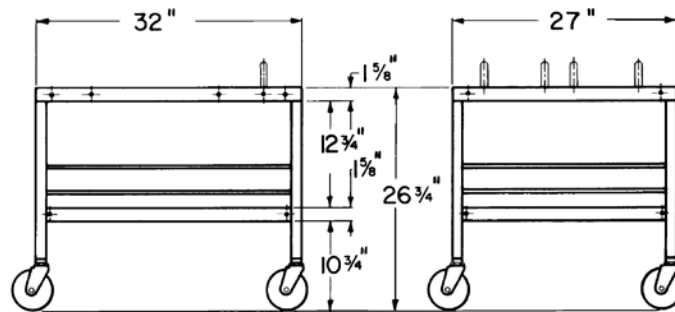


701 S Ridge Avenue, Troy, OH 45374  
1-888-4HOBART • www.hobartcorp.com

## DETAILS AND DIMENSIONS

### MIXER TABLES

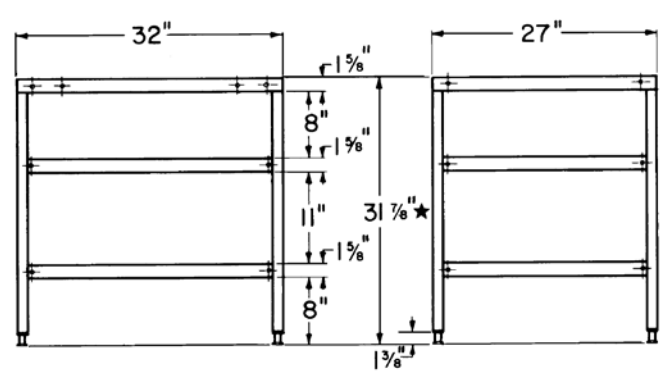
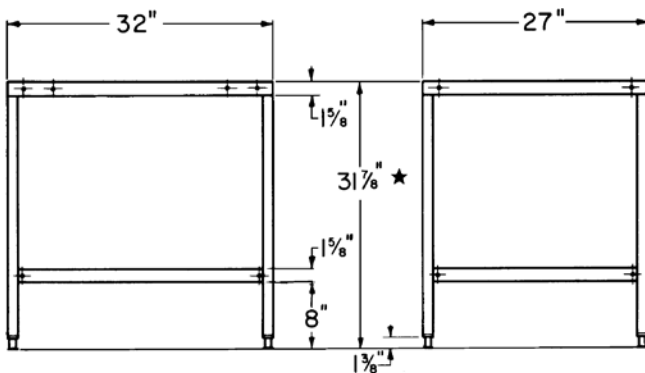
MODEL TABLEHW-HL2012



### FOOD CUTTER TABLES

MODEL CUTTER-TABLE3 (205025)

MODEL CUTTER-TABLE4 (205026)



As continued product improvement is a policy of Hobart, specifications are subject to change without notice.