

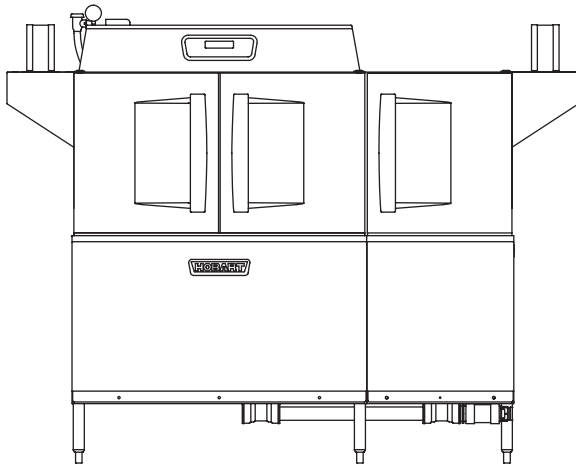


Project \_\_\_\_\_  
 AIA # \_\_\_\_\_ SIS # \_\_\_\_\_  
 Item # \_\_\_\_\_ Quantity \_\_\_\_\_ C.S.I. Section 114000



# CLPS66eN-EGR ELECTRIC

## High Temperature Rack Conveyor Dishwashing Machine



### STANDARD FEATURES

- + 202 racks per hour
- + 22" power scrapper
- + Drain water energy recovery (DWER)
- + Opti-Rinse™ system
- + Drain water tempering kit
- + Rapid return conveyor drive mechanism
- + Internal stainless steel pressure-less 30 KW booster heater
  - Dual point electrical connection standard on 208/60/3 and 240/60/3 voltage machines, when equipped with internal booster; single point kits available (see page 3)
  - Single point connection standard on 480/60/3 and 600/60/3 voltage machines, when equipped with internal booster
- + Large double door opening for ease of cleaning
- + Doors are insulated & hinged with door interlock switches
- + 19.5" chamber height opening (accepts sheet pans)
- + Top mounted micro-processor control module
- + Energy saver mode (programmable auto-shut down)
- + Dirty water indicator
- + Manager activated low temperature alert
- + NSF rated configurable pot and pan dwell mode
- + Configurable "intelligent" delime notification
- + Service diagnostics
- + Self-aligning wash manifolds
- + Stainless steel anti-clogging wash arms
- + Removable pump intake screen
- + Stainless steel self-draining pump and impeller
- + Single, sloping scrap screen and deep scrap basket
- + Stainless panels enclose perimeter and bottom
- + Door actuated drain closure
- + Vent fan control
- + Booster heater control
- + Power scrapper vent cowl curtain kit
- + ENERGY STAR® Certified



### SPECIFIER STATEMENT

Specified dishwasher will be Hobart CLPS66eN Energy Recovery electric tank heat model with drain water energy recovery (DWER) and Opti-Rinse™. Includes 22" power scrapper, insulated ergonomic cabinet style doors, dirty water indicator, configurable "intelligent" de-lime notification, top mounted computer controls, and NSF approved pot and pan cycle mode. The wash tank utilizes durable precision pressure sensor monitors in lieu of conventional mechanical floats. The 19.5" standard chamber height will accommodate up to (6) standard sheet pans at a time on an open-end sheet pan rack.

### OPTIONS & ACCESSORIES (Available at extra cost)

- Standard, short, and extended stainless steel vent hoods
- Direct drive unloader – adds 38" length. Reference spec F39520 for more details
- Side loader – SL23 adds 23" length, SL30 adds 30" length. Reference specs F40926 and F40927 for more details
- Blower-dryer – adds 33½" to length. Reference spec F40252 for more details (ships separate from dishmachine, contact Hobart Service for installation)
- Flanged feet kit (requires two kits)
- Higher than standard chamber (24" opening)
- Table limit switch with 10' wire
- Correctional package (contact Hobart for details)
- Pressure regulator valve (PRV), for use with external booster
- Water shock absorber kit
- Factory-mounted circuit breakers (contact Hobart for details)
- Field installed single point kits available for 208/60/3 and 240/60/3 machines when equipped with internal booster

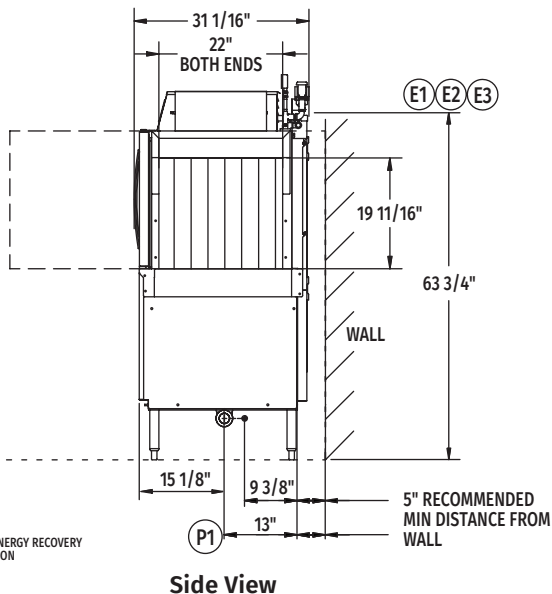
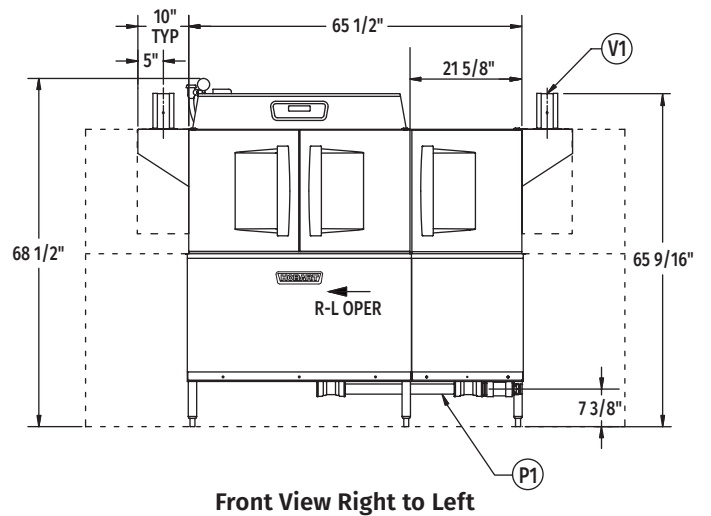
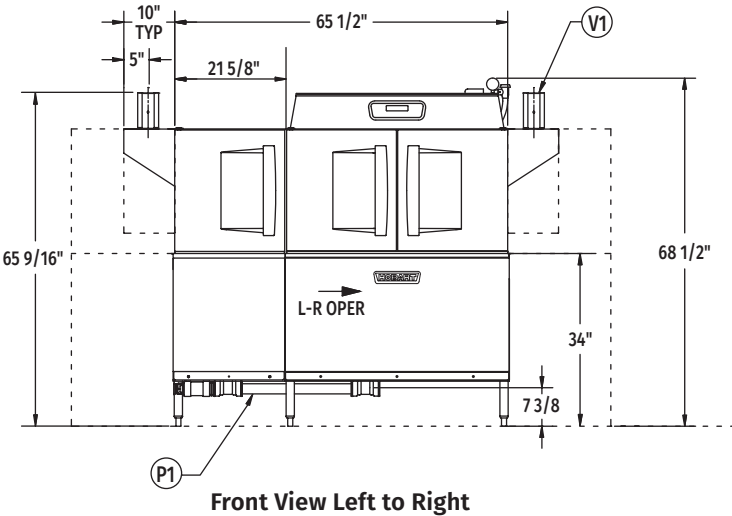
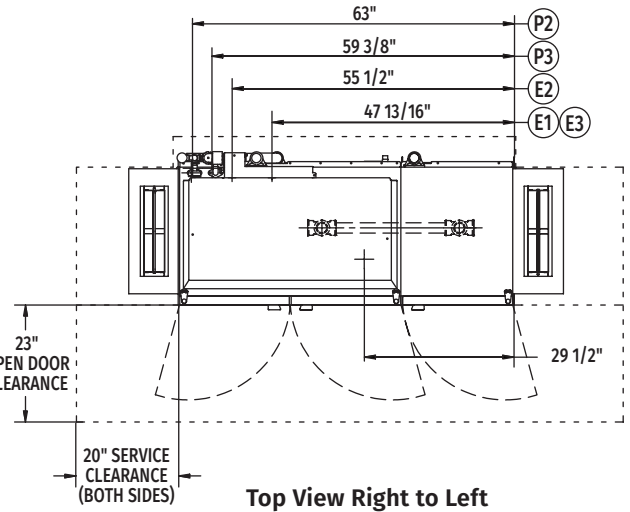
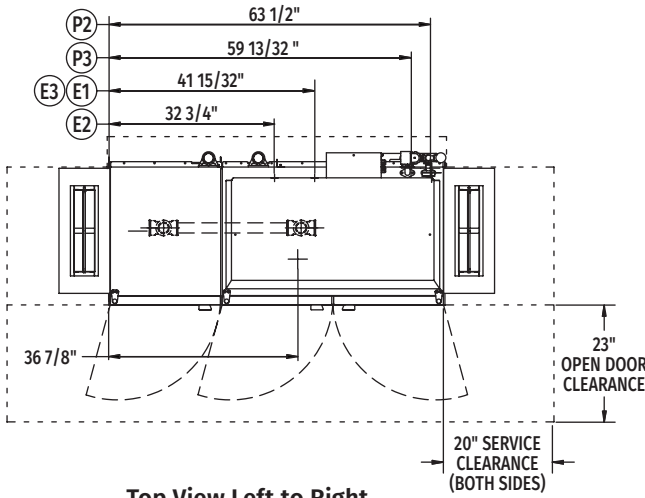
CLEAN SERIES – CLPS66eN-EGR ELECTRIC

Approved by \_\_\_\_\_ Date \_\_\_\_\_ Approved by \_\_\_\_\_ Date \_\_\_\_\_

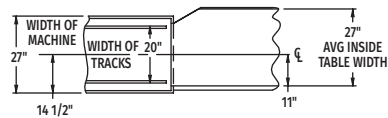


# CLPS66eN-EGR ELECTRIC

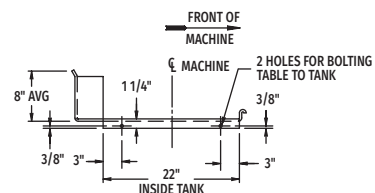
## High Temperature Rack Conveyor Dishwashing Machine



### Tabling Connection: 66" inside tank (at table connection)



### View Showing Hole Locations in Turned Down Portion of Table



MODEL: CLPS76eN ENERGY RECOVERY  
L-R OPERATION  
D-974809  
REV B

MODEL: CLPS76eN ENERGY RECOVERY  
R-L OPERATION  
D-974808  
REV B



# CLPS66eN-EGR ELECTRIC

## High Temperature Rack Conveyor Dishwashing Machine

### LEGEND

| Electrical Connections                                                        |                                                                                                                                                                       |
|-------------------------------------------------------------------------------|-----------------------------------------------------------------------------------------------------------------------------------------------------------------------|
| Required when machine equipped with <b>SINGLE POINT ELECTRICAL CONNECTION</b> |                                                                                                                                                                       |
| <b>E1</b>                                                                     | Tank heat, motors, controls AND 30kW booster heater – multiple knockouts provided, 63-3/4" AFF.                                                                       |
| Required when machine equipped with <b>DUAL POINT ELECTRICAL CONNECTION</b>   |                                                                                                                                                                       |
| <b>E2</b>                                                                     | Tank heat, motors and controls – multiple knockouts provided, 63-3/4" AFF.                                                                                            |
| <b>E3</b>                                                                     | Internal 30kW booster heater – multiple knockouts provided, 63-3/4" AFF.                                                                                              |
| Multiple knockouts provided for 2", 1" and 1/2" trade size conduits.          |                                                                                                                                                                       |
| Plumbing Connections                                                          |                                                                                                                                                                       |
| <b>P1</b>                                                                     | Drain. May be drained to either side of valve, plug opposite side 2" FPT. Recommend a floor drain minimum of 12" from machine for access and maintenance. 7-3/8" AFF. |
| <b>P2</b>                                                                     | Hot water. 1/2" FPT connection. 1/2", 11-3/16" AFF. See plumbing notes for required temperatures.                                                                     |
| <b>P3</b>                                                                     | Cold water connection 1/2" FPT, cold water temperature 80°F, maximum 7-3/8" AFF.                                                                                      |
| Vent Connections                                                              |                                                                                                                                                                       |
| <b>V1</b>                                                                     | Optional vent hoods, 4" x 16" vent stack with damper.                                                                                                                 |

### SPECIFICATIONS

#### Capacities

|                                            |     |
|--------------------------------------------|-----|
| Racks per Hour (NSF rated) . . . . .       | 202 |
| Wash Tank (U.S. gallons) . . . . .         | 23  |
| Power Scrapper (U.S. gallons) . . . . .    | 23  |
| Conveyor Speed (feet per minute) . . . . . | 5.6 |

#### Motor Horsepower

|                          |     |
|--------------------------|-----|
| Drive . . . . .          | 1/6 |
| Wash . . . . .           | 2   |
| Power Scrapper . . . . . | 2   |

#### Water Consumption

|                                                         |      |
|---------------------------------------------------------|------|
| U.S. Gallons per Hour (maximum use at 20 PSI) . . . . . | 126  |
| U.S. Gallons per Rack . . . . .                         | 0.62 |
| Peak Drain Flow (U.S. gallons per minute) . . . . .     | 38   |

#### Heating

|                                                          |    |
|----------------------------------------------------------|----|
| Tank Heat, Electric (kW) . . . . .                       | 15 |
| Electric Booster (built-in) (kW for 70°F rise) . . . . . | 30 |

#### Venting

|                                    |     |
|------------------------------------|-----|
| Load End (minimum CFM) . . . . .   | 200 |
| Unload End (minimum CFM) . . . . . | 400 |

**Shipping Weight (approximate)** . . . . . 895 lbs.

**Crated Dimensions** . . . . . 76"L x 38"W x 78"H

| <b>E1</b> | Single Point Electrical Connection with internal 30 kW Booster Heater |                                                                |                                                                  |
|-----------|-----------------------------------------------------------------------|----------------------------------------------------------------|------------------------------------------------------------------|
| Voltage   | (E1) Tank Heat, Motors, Controls<br>30kW Booster Heater               |                                                                | Single Point Service Connection                                  |
|           | Rated Amps                                                            | Minimum Supply Circuit Ampacity /<br>Maximum Protective Device |                                                                  |
| 208/60/3  | 144.5                                                                 | 175                                                            | Field Installed <b>SGLPT-KIT4-CLE</b> required, order separately |
| 240/60/3  | 138.2                                                                 | 150                                                            | Field Installed <b>SGLPT-KIT2-CLE</b> required, order separately |
| 480/60/3  | 70.7                                                                  | 90                                                             | Ships Standard, Factory Installed                                |
| 600/60/3  | 49.4                                                                  | 60                                                             | Ships Standard, Factory Installed                                |

| <b>E2</b> | Dual Point Electrical Connection with Internal 30 kW Booster Heater |                                                                |                          |                                                                |                               |
|-----------|---------------------------------------------------------------------|----------------------------------------------------------------|--------------------------|----------------------------------------------------------------|-------------------------------|
| Voltage   | (E2) Tank Heat, Motors, Controls                                    |                                                                | (E3) 30kW Booster Heater |                                                                | Dual Point Service Connection |
|           | Rated Amps                                                          | Minimum Supply Circuit Ampacity /<br>Maximum Protective Device | Rated Amps               | Minimum Supply Circuit Ampacity /<br>Maximum Protective Device |                               |
| 208/60/3  | 60.6                                                                | 80                                                             | 83.9                     | 90                                                             | Dual Point Ships Standard     |
| 240/60/3  | 58.0                                                                | 80                                                             | 80.2                     | 90                                                             | Dual Point Ships Standard     |
| 480/60/3  | 30.6                                                                | 40                                                             | 40.1                     | 50                                                             | Field Convertible             |
| 600/60/3  | 22.6                                                                | 35                                                             | 26.9                     | 40                                                             | Field Convertible             |



# CLPS66eN-EGR ELECTRIC

## High Temperature Rack Conveyor Dishwashing Machine

**WARNING:** Plumbing and electrical connections should be made by qualified personnel who will observe all the applicable plumbing, sanitary, safety codes and National Electrical Code.

**Plumbing Notes:** Minimum incoming water temperatures: 110°F for 30kW internal booster. Building flowing water pressure to dish machine is 20 PSI, (+/- 5 PSI).

Single cold water connection supplies both drain water energy recovery and drain water tempering.

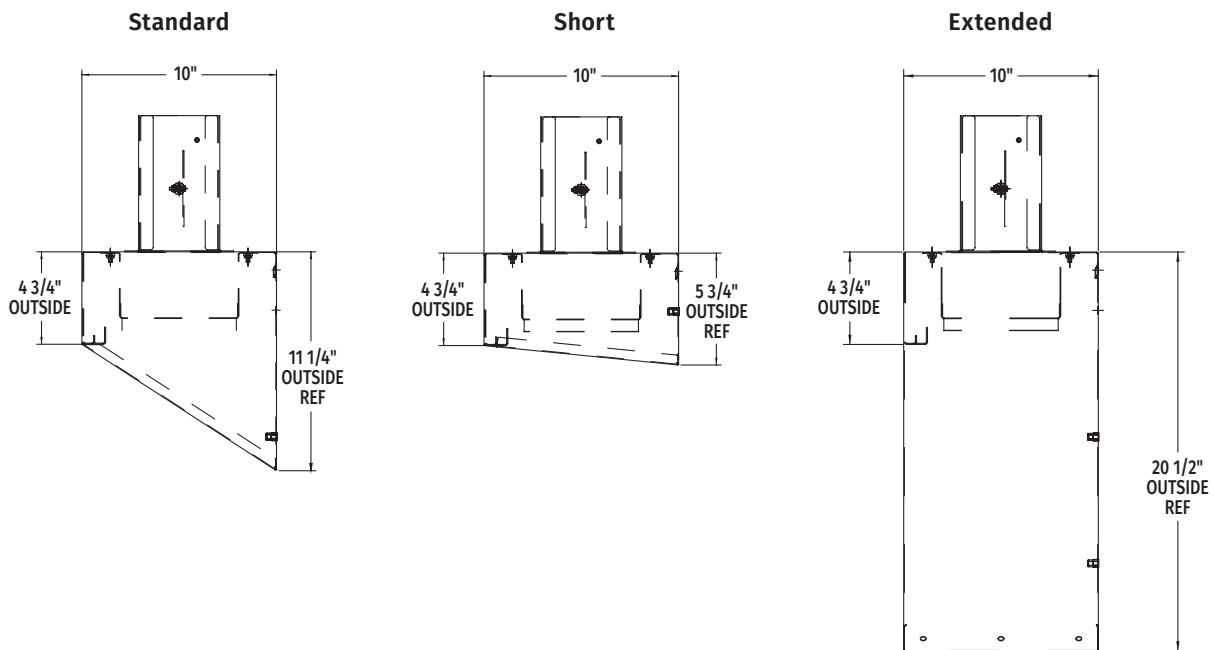
Recommended water hardness to be 3 grains or less for best results.

**Electrical Note:** Dishmachine not provided with internal GFCI protection.

| CLPS66eN-EGR Electric Heat Dissipation |          |
|----------------------------------------|----------|
| BTU/HR.                                |          |
| Latent                                 | Sensible |
| 43,100                                 | 18,500   |

**NOTE:** Additional CLeN Voltages and Amperages are available, see document F40972.

### VENT HOOD OPTIONS (Adjustable, vent stack can be adjusted 1" to either side)



As continued product improvement is a policy of Hobart, specifications are subject to change without notice.