

Machines Covered

This Covers the CA line of dishwashers including: PREWASH SECTION for the C44A, C54A & C64A

The below information was taken from and can be found within the instruction manual of any Hobart product, located at: <https://www.hobartcorp.com/resources-hobart>.



⚠WARNING Disconnect the electrical power to the machine and follow lockout / tagout procedures. There may be multiple circuits. Be sure all circuits are disconnected.

⚠WARNING When performing service work, corrosive chemicals may be present. Exposure to these chemicals could result in injury. It is very important to follow the manufacturer's instructions as found in the (Material) Safety Data Sheet/(M) SDS. Information regarding the Personal Protective Equipment (PPE) requirements can be found in the (M) SDS that accompanies product or can be found online.

Wash Tank/Rinse Tank System

✓ = PROCESS COMPLETED

Task	Part	Qty	Comments	<input type="checkbox"/>
A: Replace O-Ring.	00-067500-00110	6	---	<input type="checkbox"/>

A

O-RING

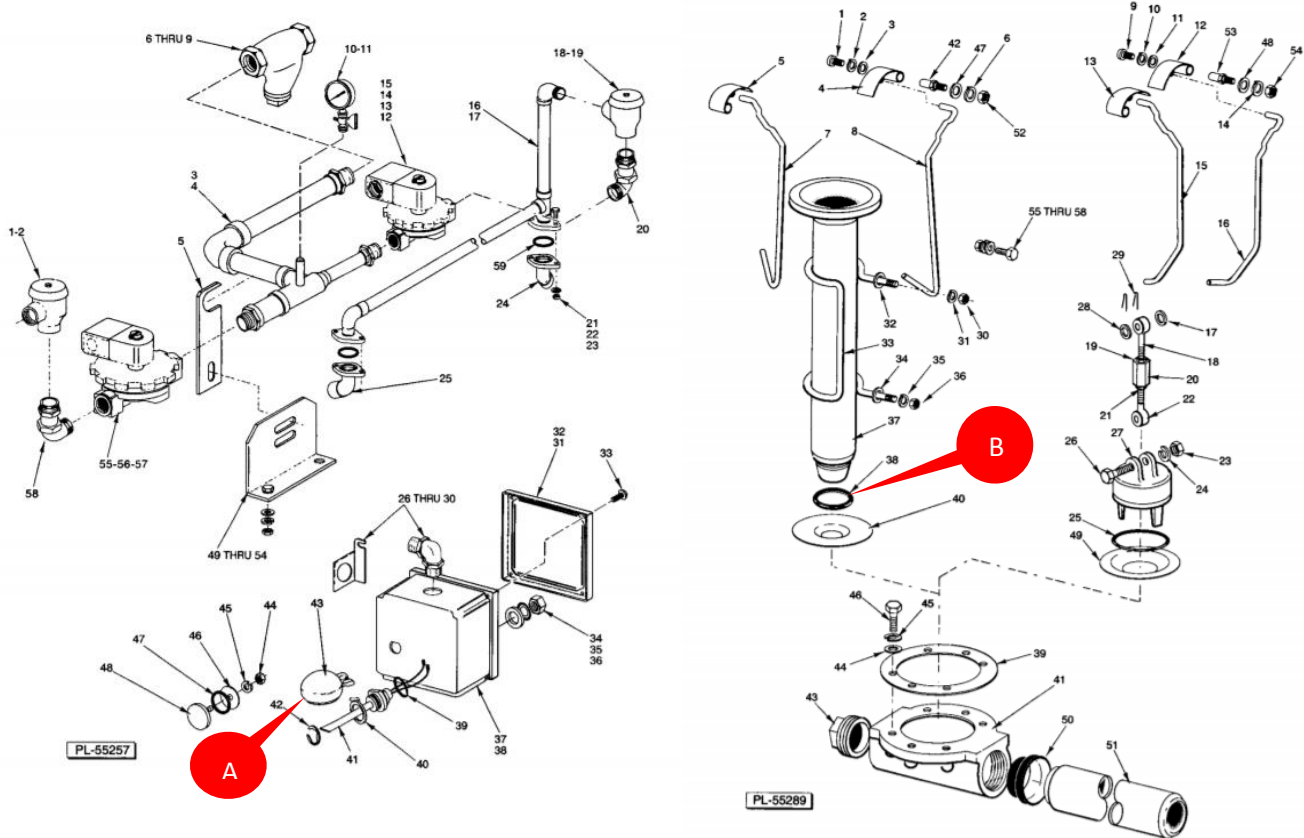
**WASH ARMS & TUBES
(WASH/RINSE SECTION)**

PL-55256

Drain System

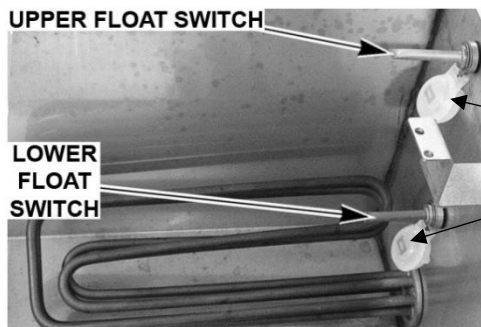
✓ = PROCESS COMPLETED

Task	Part	Qty	Comments	<input type="checkbox"/>
A: Replace fill floats.	00-122674	2		<input type="checkbox"/>
B: Replace standpipe O-Ring.	00-067500-00120	5	---	<input type="checkbox"/>



FILL & OUTSIDE RINSE PIPING

DRAIN UNIT (WASH/RINSE SECTION)



Position Magnets outward

Curtains (CLA)

✓ = PROCESS COMPLETED

Task	Part	Qty	Comments	<input type="checkbox"/>
Replace Splash Short Curtain.	00-120151-00001	1	---	<input type="checkbox"/>

The diagram is an exploded view of a splash short curtain assembly. It shows various components including a top rail (5, 6), a middle rail (51), a vertical support (9), a bottom rail (21), and a splash curtain panel (22). A red circle labeled 'A' highlights a specific component on the middle rail. Other numbered callouts include 7, 8, 12, 13, 36, and 37. The assembly is shown in an exploded view, with the splash curtain panel (22) positioned below the other components. A 'HOBART' logo is visible on the splash curtain panel.