

Machines Covered

This Covers the C-Line dishwashers including: PREWASH SECTION for CLE and CLEN Machines

The below information was taken from and can be found within the instruction manual of any Hobart product, located at: <https://www.hobartcorp.com/resources-hobart>.



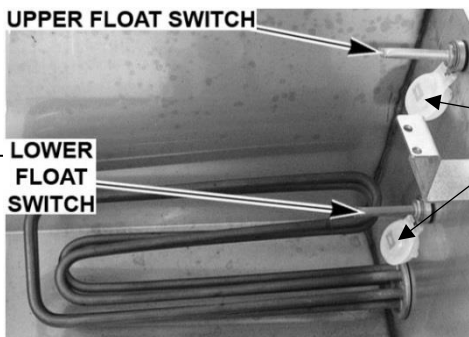
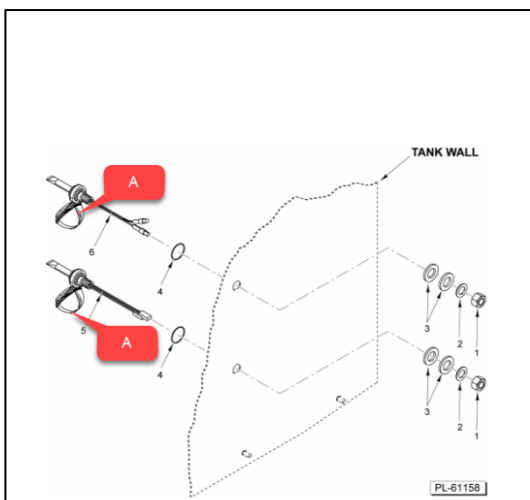
▲WARNING Disconnect the electrical power to the machine and follow lockout / tagout procedures. There may be multiple circuits. Be sure all circuits are disconnected.

▲WARNING When performing service work, corrosive chemicals may be present. Exposure to these chemicals could result in injury. It is very important to follow the manufacturer's instructions as found in the (Material) Safety Data Sheet/(M) SDS. Information regarding the Personal Protective Equipment (PPE) requirements can be found in the (M) SDS that accompanies product or can be found online.

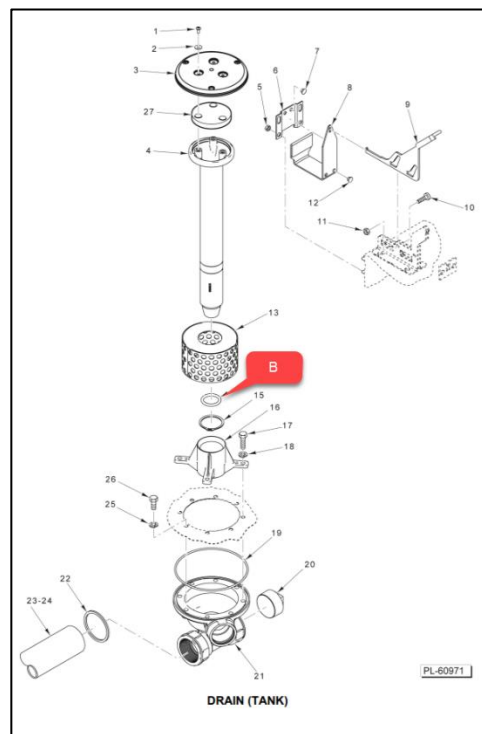
Drain System

✓ = PROCESS COMPLETED

Task	Part	Qty	Comments	<input type="checkbox"/>
A: Replace fill floats.	00-122674	2	---	<input type="checkbox"/>
B: Replace standpipe O-ring	00-067500-00120	5	---	<input type="checkbox"/>



Position Magnets outward



Wash Tank/Rinse Tank System

✓ = PROCESS COMPLETED

Task	Part	Qty	Comments	<input type="checkbox"/>
A: Replace upper and lower wash arm end caps.	00-919363	6	---	<input type="checkbox"/>
B: Replace upper and lower wash arm manifold O-ring.	00-067500-00014	4	---	<input type="checkbox"/>

PL-60973

Curtains (CLeN)

✓ = PROCESS COMPLETED

Task	Part	Qty	Comments	<input type="checkbox"/>
A: Replace Curtain, Splash (Short)	00-919509	1	---	<input type="checkbox"/>