



Project _____
 AIA # _____ SIS # _____
 Item # _____ Quantity _____ C.S.I. Section 114000



DDU38e DIRECT DRIVE UNLOADER

For CLeN Series



STANDARD FEATURES

- + Back, bottom and end shields of formed 14 gauge stainless steel with coved corners
- + Attached to the clean side of the dishwasher by stainless steel bolts
- + Unit has a 1½" drain connection and perforated stainless steel drain cover
- + Center pawl to be connected to dishwasher conveyor by means of a stainless steel adjustable rod.
- + As conveyor drives, center pawl drives racks around 90 degree corner.
- + Designed to move the racks at the same speed as the conveyor dishwasher speed.

OPTIONS & ACCESSORIES (Available at extra cost)

- DDU/BD-KITDOM – required when design includes both Hobart DDU38e Unloader & Hobart Blower Dryer; kit provides components necessary to join the conveyor between accessories

SPECIFIER STATEMENT

The mechanical DDU38e Direct Drive Unloader accessory is designed to provide automatic 90° indexing for corner unloading. The DDU38e is direction specific, adds 38" in length to the clean side of the dishmachine and can accommodate all ware confined within a standard 20" x 20" food-service rack, in addition to 6x sheet pans (when used with Hobart SHTPAN-RACK). The DDU38e is not compatible with Hobart CLeN-VL Ventless units.

CLEAN SERIES – DDU38e DIRECT DRIVE UNLOADER

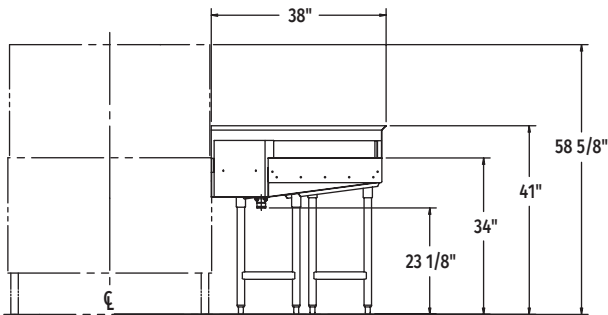
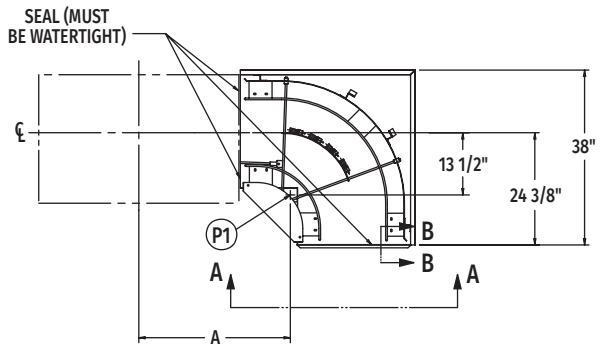
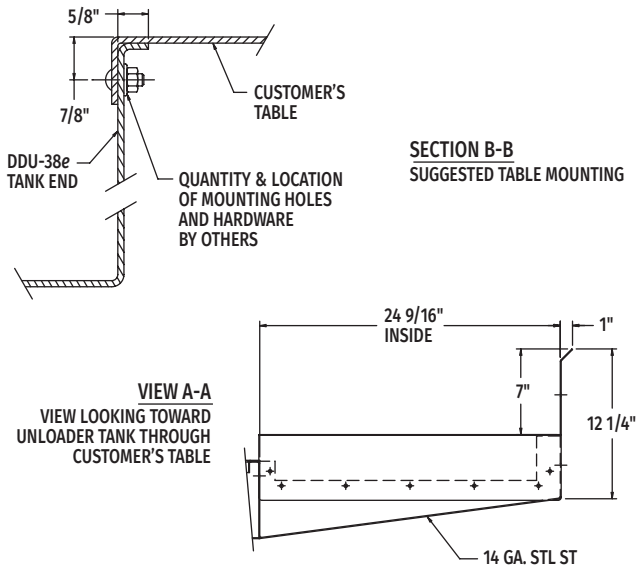
Approved by _____ Date _____ Approved by _____ Date _____



DDU38e DIRECT DRIVE UNLOADER

For CLeN Series

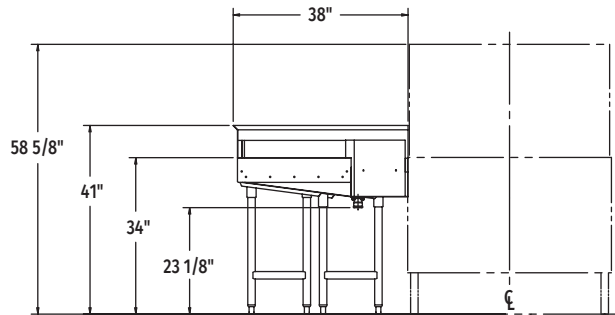
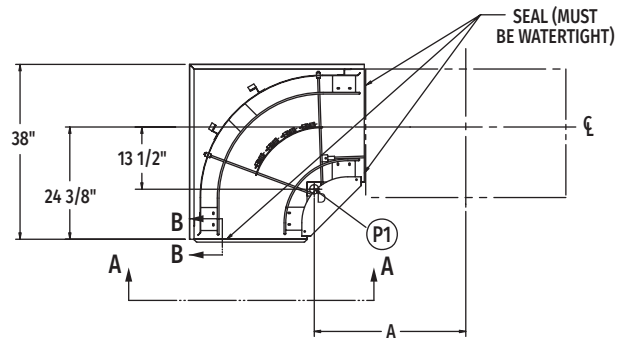
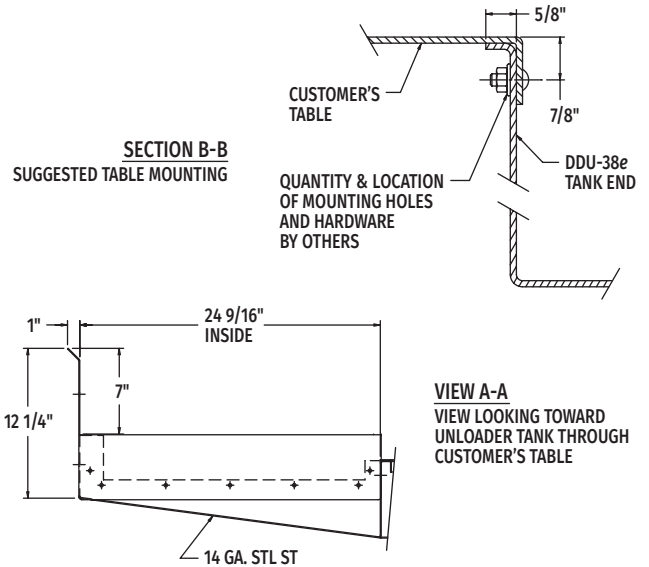
Left to Right Operation



FLOOR LINE: ALL DIMENSIONS TAKEN FROM FLOOR LINE MAY BE INCREASED APPROX. 3/4" OR DECREASED 1/2".

MODEL: CLeN DIRECT UNLOADER
L-R OPERATION
D-936646
REV C

Right to Left Operation



FLOOR LINE: ALL DIMENSIONS TAKEN FROM FLOOR LINE MAY BE INCREASED APPROX. 3/4" OR DECREASED 1/2".

MODEL: CLeN DIRECT UNLOADER
R-L OPERATION
D-936645
REV C

WARNING: Electrical and grounding connections must comply with the applicable portions of the National Electrical Code and/or other local electrical codes.

Plumbing connections must comply with applicable sanitary, safety and plumbing codes.

Note: For dimensions not shown, see specification sheet for model specified.

Model	Dimension A
CL44eN	33"
CLPS66eN	33"
CL54eN	43"
CLPS76eN	43"
CL64eN	43"
CLPS86eN	43"

LEGEND

Plumbing Connections

P1 Drain connection: 1-1/2" FPT approx. 23-1/8" AFF.

Approximate shipping weight: 200 lbs.