



CATALOG OF REPLACEMENT PARTS

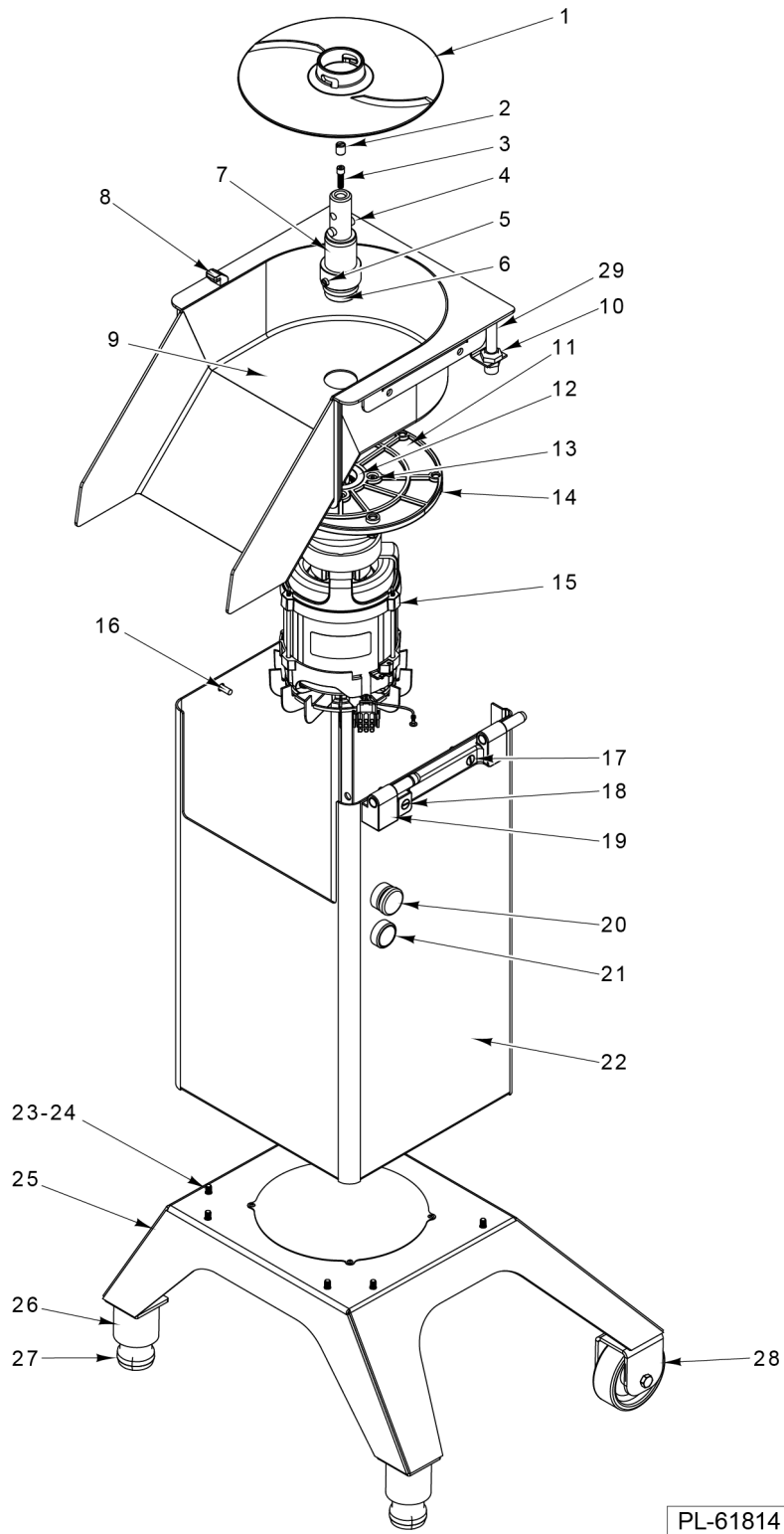
FP300i FOOD PROCESSOR

ML-136363



Table of Contents

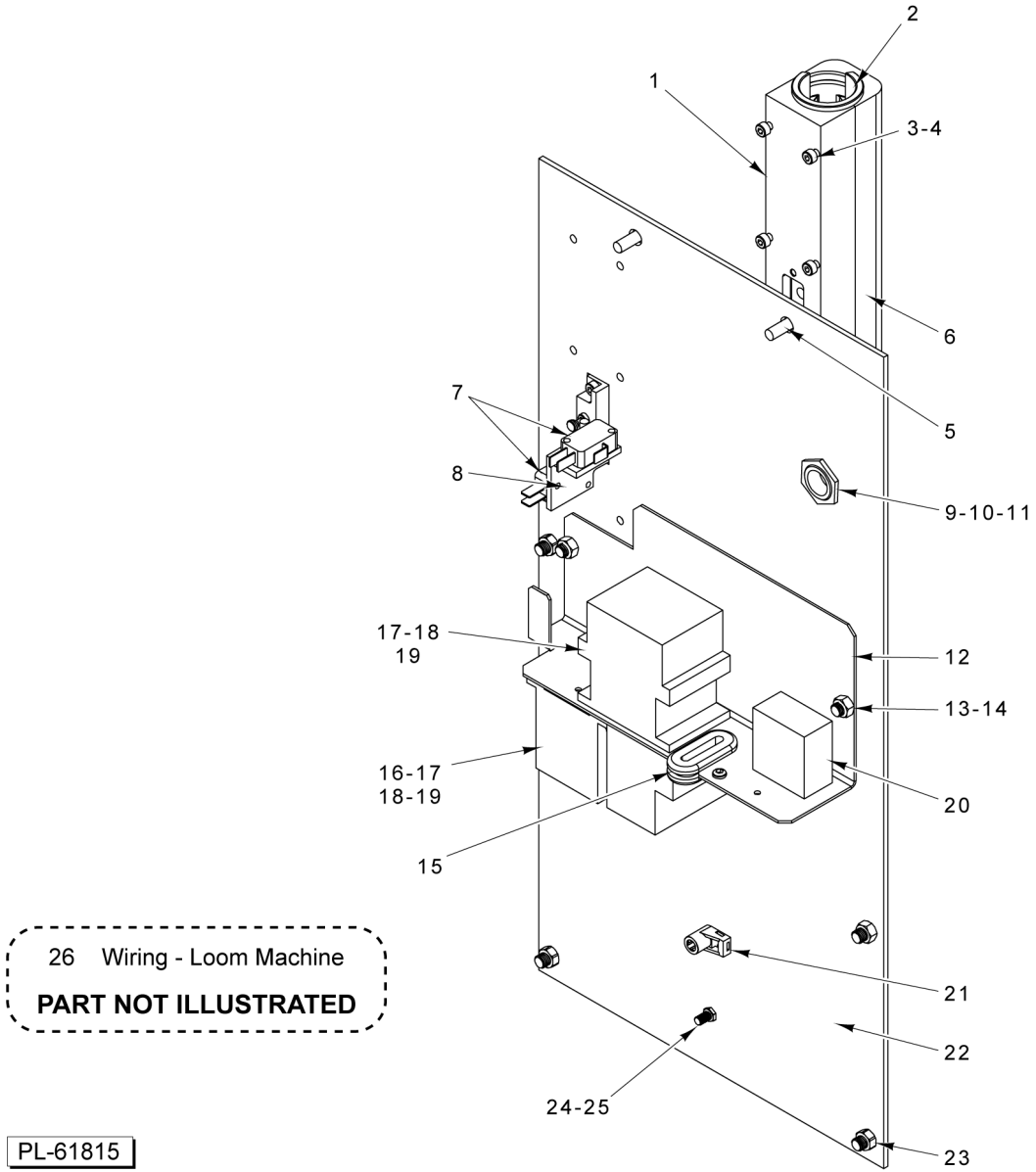
5	HOUSING UNIT
7	ELECTRICAL PANEL
9	MANUAL PUSH FEEDER
11	FEED CYLINDER
13	FEED CYLINDER AND HOPPER
15	4-TUBE INSERT ASSEMBLY
17	ACCESSORIES (SLICER / JULIENNE)
19	ACCESSORIES (SHREDDER / GRATER / DICER)



HOUSING UNIT

HOUSING UNIT

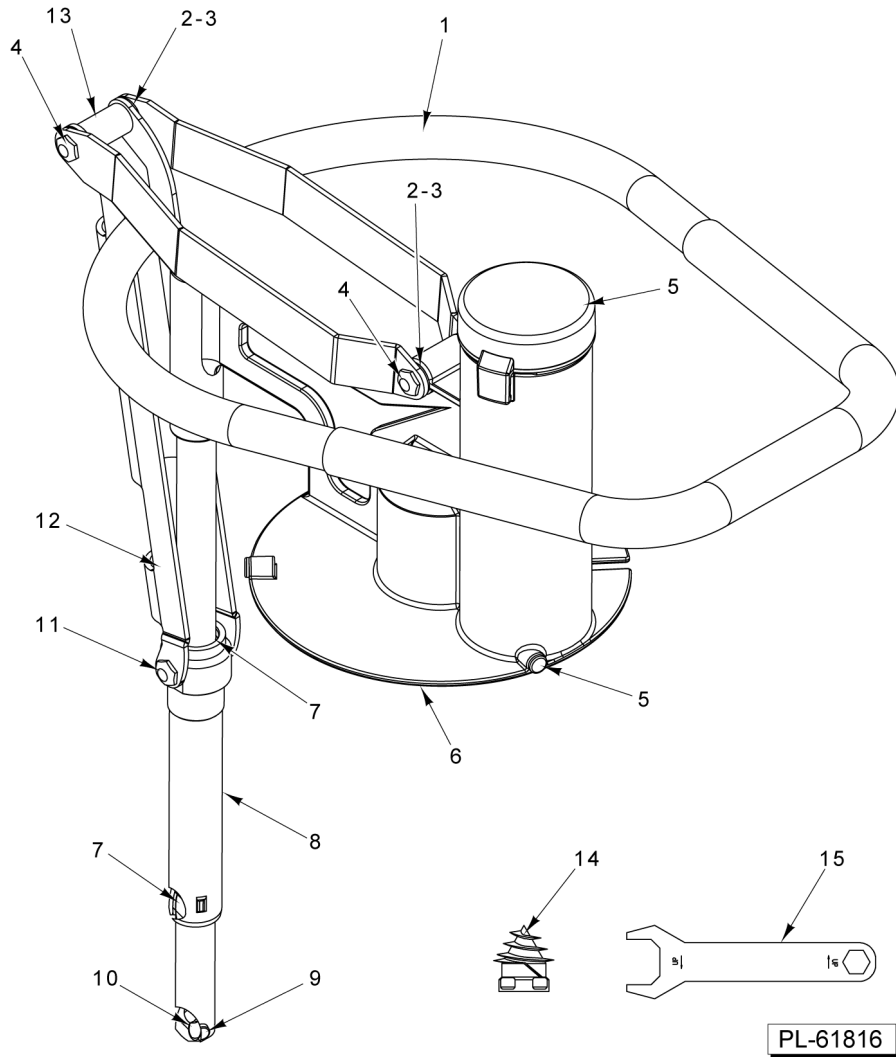
ILLUS.	PART NO.	NAME OF PART	AMT.
PL-61814			
1	00-915788	Plate - Ejector.....	1
2	00-939077-00012	Screw - Locking.....	1
3	00-939077-00008	Screw M6.....	1
4	00-939077-00004	Pin - Carrier.....	1
5	00-915804	Pin - Carrier - Ejector Plate.....	2
6	00-439129	Seal - Washer.....	1
7	00-939077-00030	Shaft - Knife.....	1
8	00-939077-00031	Lug - Locking.....	1
9	00-939077-00013	Chamber - Knife.....	1
10	00-939077-00014	Nut - Plastic.....	1
11	00-939077-00032	Plate - Motor.....	1
12	00-439133	Ring - Seal.....	1
13	00-939077-00015	Screw M4 x 25.....	4
14	00-939077-00023	Nut M6.....	AR
15	00-939077-00033	Motor.....	1
16	SC-124-31	Mach. Screw M6 x 1 x 16mm Slotted Truss Hd. (SST).....	4
17	00-939077-00037	Screw M6 x 30.....	1
18	00-939077-00036	Screw M6 x 40.....	1
19	00-939077-00034	Hinge - Male.....	1
20	00-478897	Switch Assy. (Stop).....	1
21	00-478898	Switch Assy. (Start).....	1
22	00-939077-00040	Housing.....	1
23	00-939077-00022	Washer - Lock.....	8
24	00-939077-00042	Screw M6 x 12.....	6
25	00-939077-00043	Base.....	1
26	00-939077-00041	Cover - Foot.....	2
27	00-478878	Foot - Rubber.....	2
28	00-939077-00009	Wheel Assy.....	2
29	00-939077-00065	Switch - Magnetic (Order With Item 10).....	1



ELECTRICAL PANEL

ELECTRICAL PANEL

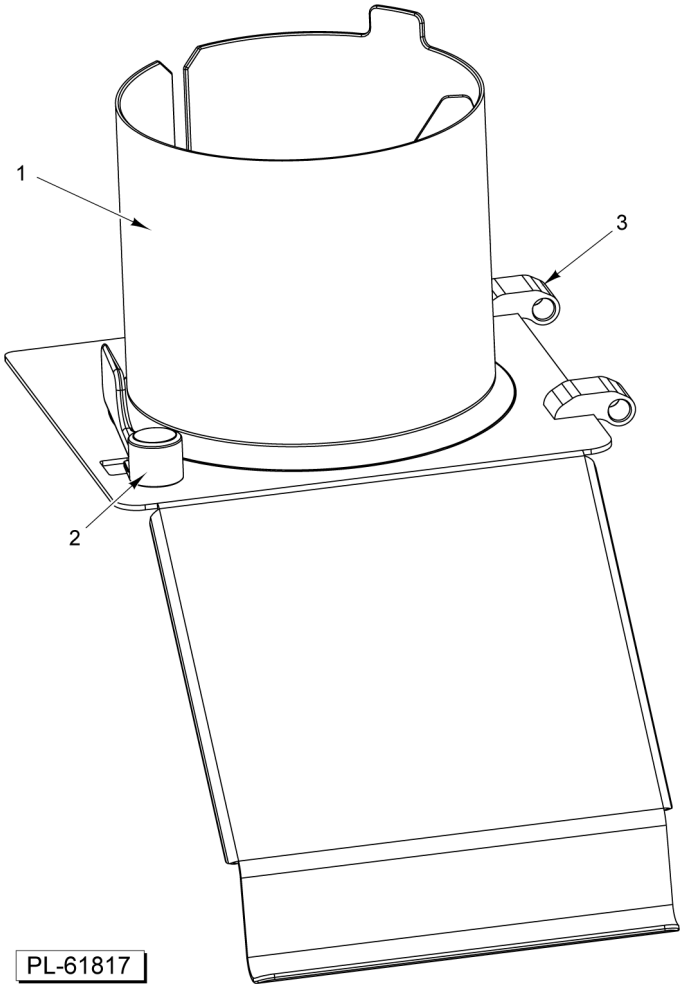
ILLUS.	PART NO.	NAME OF PART	AMT.
PL-61815			
1	00-939077-00019	Bracket Assy.....	1
2	00-939077-00006	Bushing.....	1
3	00-939077-00017	Washer - Lock.....	6
4	00-939077-00018	Screw M4 x 40.....	6
5	SC-124-31	Mach. Screw M6 x 1 x 16mm Slotted Truss Hd. (SST).....	4
6	00-939077-00007	Bushing.....	1
7	00-939077-00020	Switch - Micro.....	2
8	00-939077-00010	Micro Switch Assy. (Incls. Item 7 and Micro Switch Rods).....	1
9	00-479036	Nut - Strain Relief.....	1
10	FE-024-97	Relief - Strain.....	1
11	00-939077-00021	Cord - Power.....	1
12	00-939077-00024	Plate - Electric.....	1
13	00-939077-00022	Washer - Lock.....	2
14	00-915807	Nut M6.....	AR
15	00-939077-00026	Grommet.....	1
16	00-939077-00003	Relay - Overload.....	1
17	00-939077-00025	Din Rail.....	2
18	00-939077-00002	Contacto.....	2
19	00-939077-00027	Screw 3.5 x 6.5.....	2
20	00-939077-00011	Rc Circuit (230 V).....	1
21	00-939077-00029	Cable Tie.....	1
22	00-939077-00028	Housing - Back.....	1
23	00-939077-00023	Nut M6.....	AR
24	00-939077-00017	Washer - Lock.....	6
25	00-915846	Nut.....	6
26	00-939077-00016	Wiring - Loom Machine.....	1



MANUAL PUSH FEEDER

MANUAL PUSH FEEDER

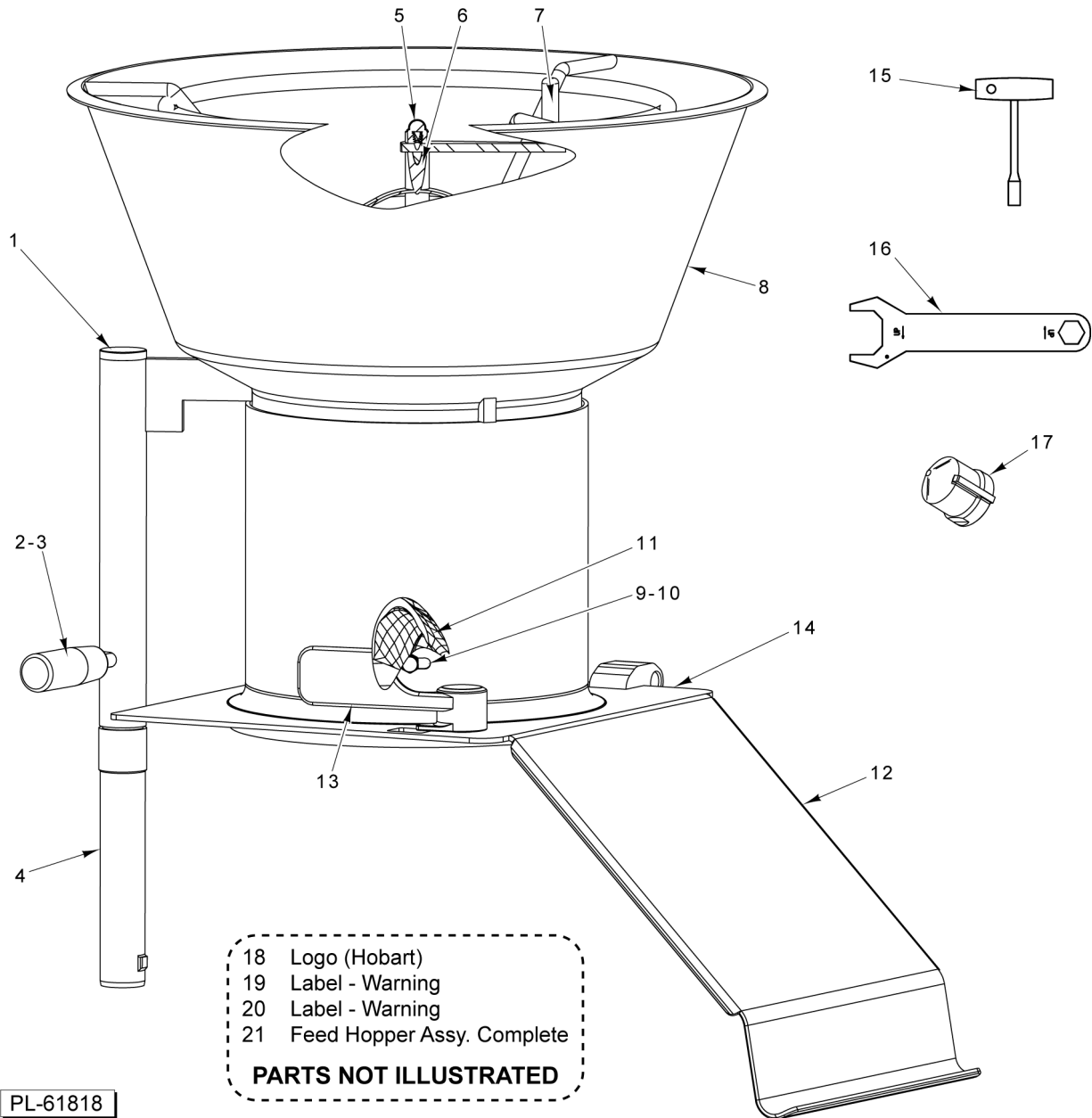
ILLUS.	PART NO.	NAME OF PART	AMT.
PL-61816			
1	00-939077-00044	Handle - Pusher.....	1
2	00-914727	Bushing.....	4
3	00-939077-00045	Shaft.....	2
4	00-914725	Screw - Link.....	2
5	00-478864	Knob - Guide.....	1
6	00-939077-00046	Plate - Feeder (Incls. Shaft).....	1
7	00-939077-00052	Bushing.....	2
8	00-939077-00049	Sleeve - Link System.....	1
9	00-939077-00050	Pin.....	1
10	00-939077-00051	Screw - Lock.....	1
11	00-939077-00048	Screw M8.....	2
12	00-939077-00047	Link.....	1
13	00-939077-00053	Sleeve.....	1
14	00-478939	Screw - Decoring.....	1
15	00-439923	Wrench - Center Screw.....	1



FEED CYLINDER

FEED CYLINDER

ILLUS.	PART NO.	NAME OF PART	AMT.
PL-61817			
1	00-939077-00054	Feed Cylinder.....	1
2	00-939077-00055	Locking Handle Assy.....	1
3	00-939077-00005	Magnet Assy.....	1

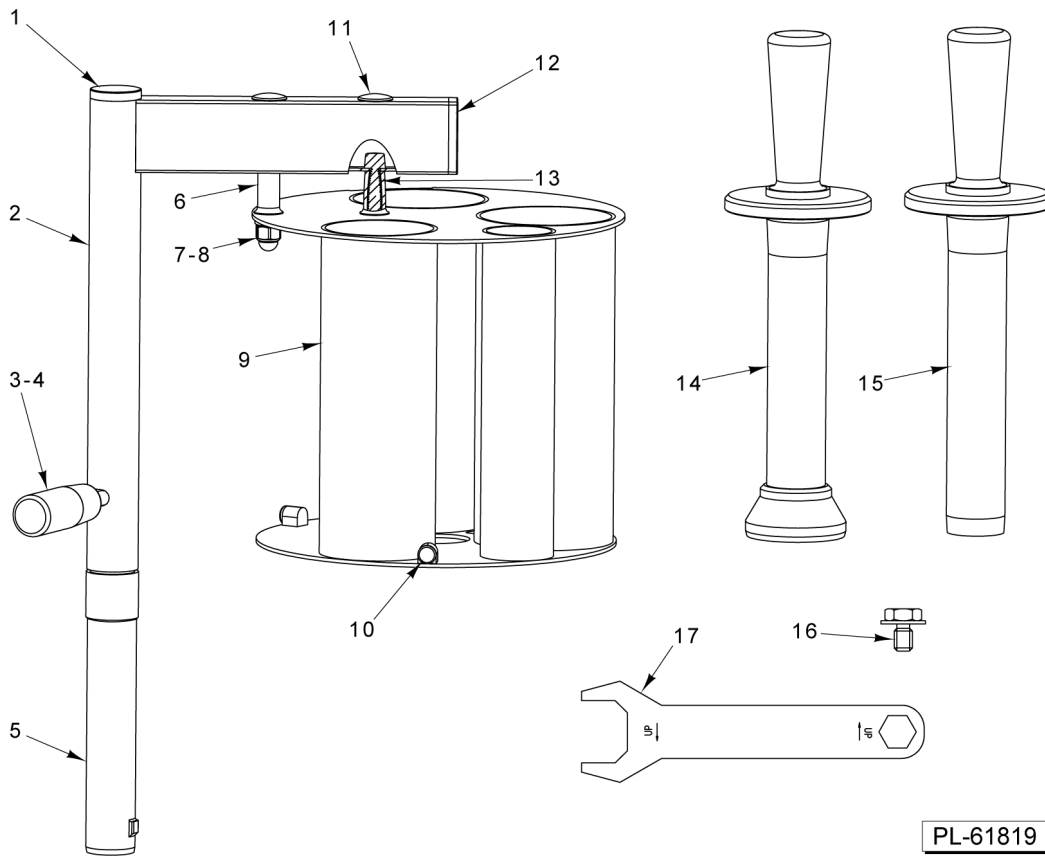


FEED CYLINDER AND HOPPER

FEED CYLINDER AND HOPPER

ILLUS.	PART NO.	NAME OF PART	AMT.
PL-61818			
1	00-478884	Plug.....	1
2	00-478883	Handle.....	1
3	00-477254	Screw - Handle.....	1
4	00-939077-00056	Shaft.....	1
5	NS-048-42	Crown Nut M8 x 1.25 (SST).....	1
6	00-478860	Lever - Stir.....	1
7	00-914953	Arm - Hopper.....	1
8	00-939077-00057	Hopper Assy.....	1
9	NS-047-34	Crown Nut M6 x 1mm (SST).....	1
10	00-938610	Screw - Stud.....	1
11	00-915839	Guide.....	1
12	00-939077-00058	Feed Cylinder.....	1
13	00-939077-00055	Locking Handle Assy.....	1
14	00-939077-00005	Magnet Assy.....	1
15	00-479094	Tool.....	1
16	00-439923	Wrench - Center Screw.....	1
17	00-939077-00059	Sleeve - Stirring.....	1
18	00-118364	Logo (Hobart).....	1
19	00-916957-00048	Label - Warning.....	1
20	00-916957-00053	Label - Warning.....	1
21	00-939069	Feed Hopper Assy. Complete.....	1

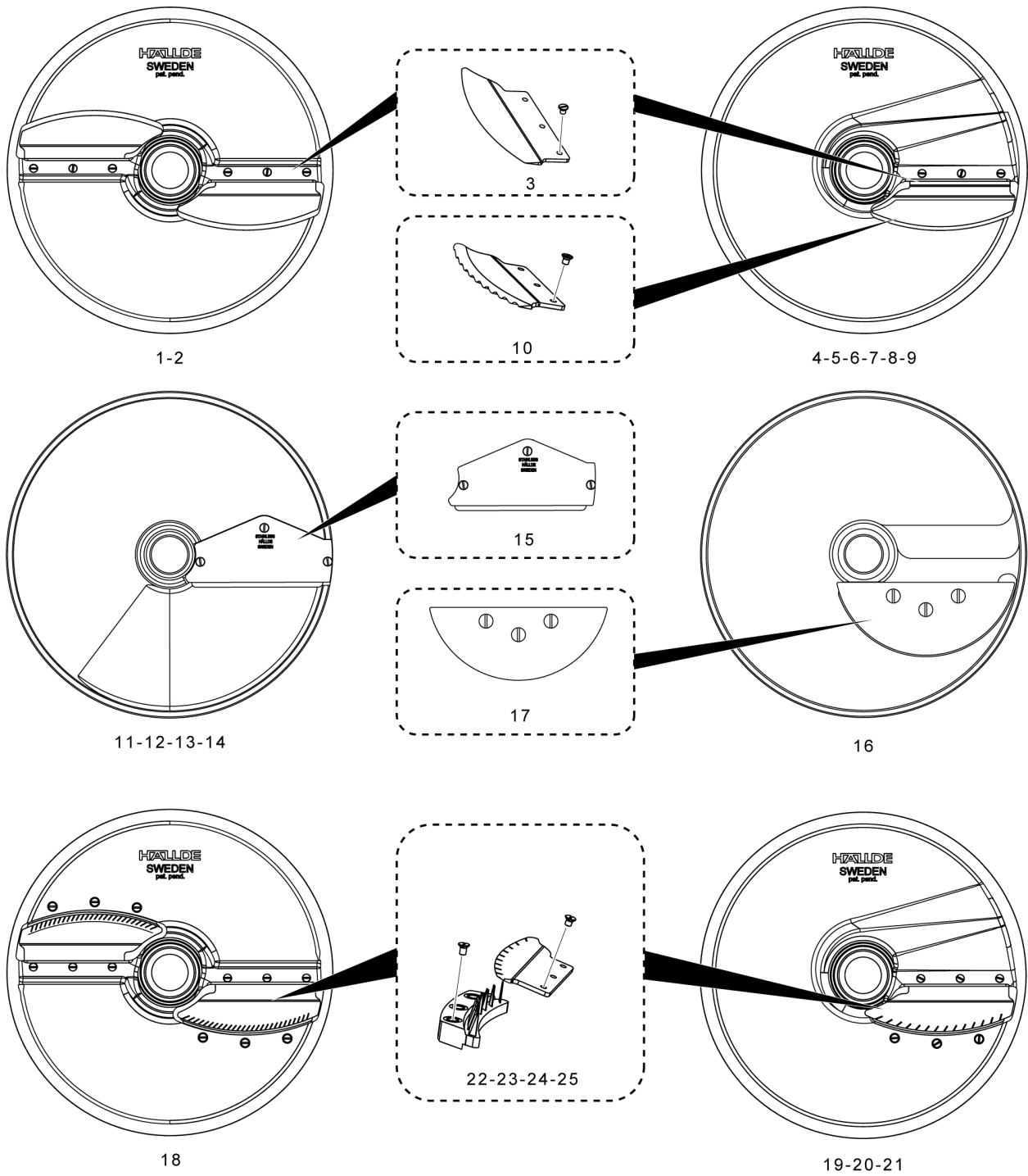
18 Feed Tube Assy. Complete
PART NOT ILLUSTRATED



4-TUBE INSERT ASSEMBLY

4-TUBE INSERT ASSEMBLY

ILLUS. PL-61819	PART NO.	NAME OF PART	AMT.
1	00-478884	Plug.....	1
2	00-939077-00060	Stand.....	1
3	00-477254	Screw - Handle.....	1
4	00-478883	Handle.....	1
5	00-939077-00056	Shaft.....	1
6	00-938607	Spacer.....	1
7	NS-048-42	Crown Nut M8 x 1.25 (SST).....	1
8	00-915824	Washer.....	1
9	00-939077-00061	4-Tube Insert Assy.....	1
10	00-478864	Knob - Guide.....	1
11	00-479574	Plug (1 KPT).....	1
12	00-479573	Plug - Rectangle (IR20).....	1
13	00-938981-00003	Screw.....	1
14	00-939077-00062	Plunger - Wide.....	1
15	00-939077-00063	Plunger - Narrow.....	1
16	00-479569	Bolt - Locking (Use to Secure Cutting Plates).....	1
17	00-439923	Wrench - Center Screw.....	1
18	00-939068	Feed Tube Assy. Complete.....	1

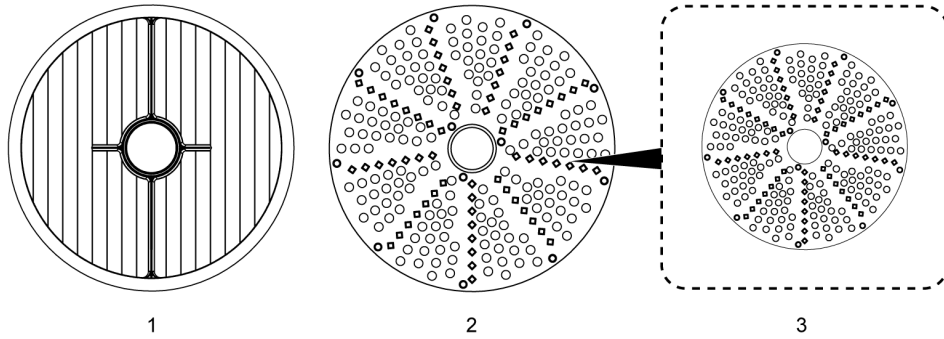


PL-61820

**ACCESSORIES
(SLICER / JULIENNE)**

**ACCESSORIES
(SLICER / JULIENNE)**

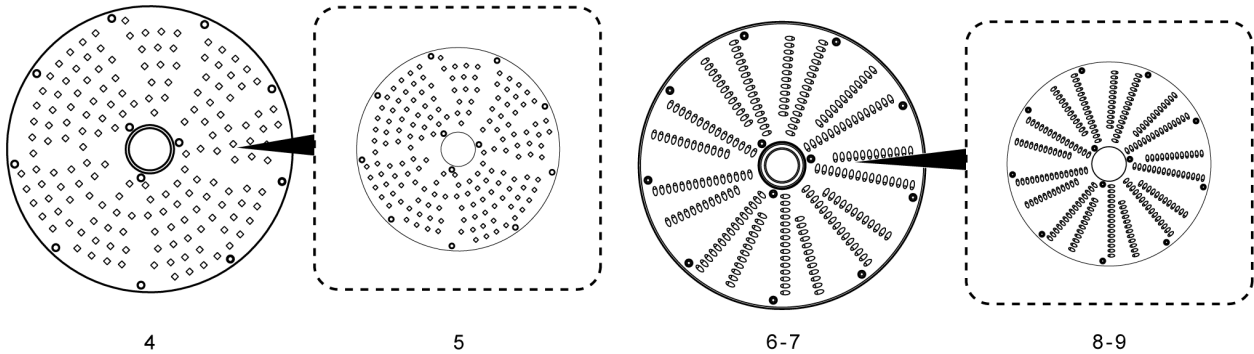
ILLUS. PL-61820	PART NO.	NAME OF PART	AMT.
1	00-915571	Plate - Fine Slicer 1/32 In. (1mm) (Incls. Item 3).....	1
2	00-915570	Plate - Fine Slicer 1/16 In. (1.5mm) (Incls. Item 3).....	1
3	00-915636	Knife - Slicer.....	AR
4	00-915572	Plate - Fine Slicer 1/8 In. (3mm) (Incls. Item 3).....	1
5	00-915575	Plate - Slicer 5/32 In. (4mm) (Incls. Item 3).....	1
6	00-915576	Plate - Slicer 7/32 In. (6mm) (Incls. Item 3).....	1
7	00-915775	Plate - Slicer 5/16 In. (8mm) (Incls. Item 3).....	1
8	00-915573	Plate - Slicer 3/8 In. (10mm) (Incls. Item 3).....	1
9	00-915574	Plate - Slicer 5/32 In. (4mm) (Crimping) (Incls. Item 10).....	1
10	00-915637	Knife - Slicer (Crimping).....	AR
11	00-914707	Plate - Soft Dicing 5/16 In. (8mm) (Incls. Item 15).....	1
12	00-914708	Plate - Soft Dicing 3/8 In. (10mm) (Incls. Item 15).....	1
13	00-914719	Plate - Soft Dicing 1/2 In. (12mm) (Incls. Item 15).....	1
14	00-914713	Plate - Soft Dicing 5/8 In. (15mm) (Incls. Item 15).....	1
15	00-914791	Knife - Soft Dicing.....	AR
16	00-915732	Plate - Fine Cut Slicer 9/16 In. (14mm) (Incls. Item 17).....	1
17	00-439158	Knife - Fine Slicer.....	AR
18	00-915559	Plate - Julienne 5/64 In. (2mm) (Incls. Item 22).....	1
19	00-915558	Plate - Julienne 5/32 In. (4mm) (Incls. Item 23).....	1
20	00-915560	Plate - Julienne 7/32 In. (6mm) (Incls. Item 24).....	1
21	00-915557	Plate - Julienne 3/8 In. (10mm) (Incls. Item 25).....	1
22	00-915639	Kit - Julienne 2 x 2mm.....	AR
23	00-915640	Kit - Julienne 4 x 4mm.....	AR
24	00-915641	Kit - Julienne 6 x 6mm.....	AR
25	00-915638	Kit - Julienne 10 x 10mm.....	AR



1

2

3

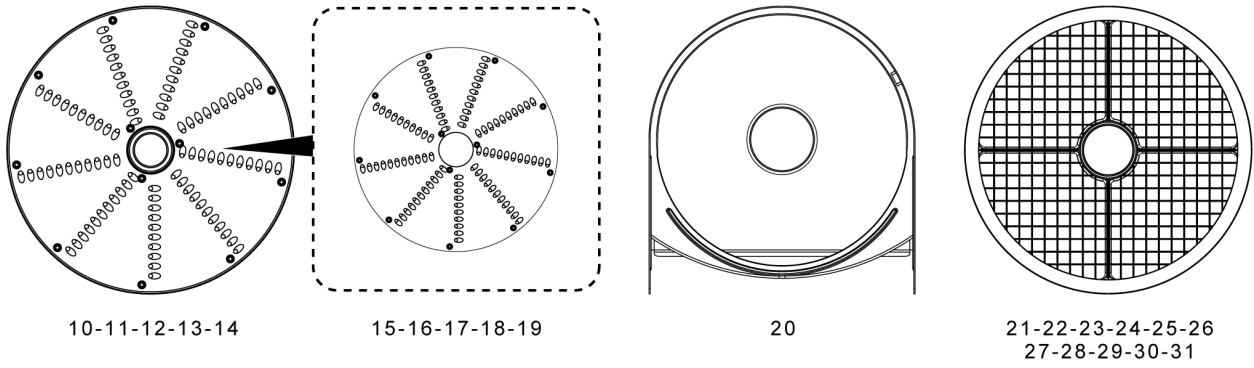


4

5

6-7

8-9



10-11-12-13-14

15-16-17-18-19

20

21-22-23-24-25-26
27-28-29-30-31

PL-61821

**ACCESSORIES
(SHREDDER / GRATER / DICER)**

**ACCESSORIES
(SHREDDER / GRATER / DICER)**

ILLUS. PL-61821	PART NO.	NAME OF PART	AMT.
1	00-915748	Plate - French Fry Grid 3/8 In. (10mm).....	1
2	00-915556	Plate - Fine Grater 1/16 In. (1.5mm).....	1
3	00-915555	Plate - Cheese Grater.....	1
4	00-439143	Insert - Fine Grater.....	AR
5	00-915733	Insert - Hard Cheese.....	AR
6	00-915563	Plate - Shredder 1/16 In. (1.5mm).....	1
7	00-915568	Plate - Shredder 5/64 In. (2mm).....	1
8	00-439145	Insert - Shredder Plate 1/16 In. (1.5mm).....	AR
9	00-439146	Insert - Shredder Plate 5/64 In. (2mm).....	AR
10	00-915564	Plate - Shredder 1/8 In. (3mm).....	1
11	00-915567	Plate - Shredder 5/32 In. (4.5mm).....	1
12	00-915569	Plate - Shredder 7/32 In. (6mm).....	1
13	00-915566	Plate - Shredder 5/16 In. (8mm).....	1
14	00-915565	Plate - Shredder 3/8 In. (10mm).....	1
15	00-439147	Insert - Shredder Plate 1/8 In. (3mm).....	AR
16	00-439148	Insert - Shredder Plate 5/32 In. (4.5mm).....	AR
17	00-439149	Insert - Shredder Plate 7/32 In. (6mm).....	AR
18	00-439150	Insert - Shredder Plate 5/16 In. (8mm).....	AR
19	00-915734	Insert - Shredder Plate 3/8 In. (10mm).....	AR
20	00-938558	Tray.....	1
21	00-915746-00001	Plate - Dicer 9/32 In. (7.5 mm).....	1
22	00-915746-00002	Plate - Dicer 3/8 In. (10 mm).....	1
23	00-915746-00003	Plate - Dicer 1/2 In. (12 mm).....	1
24	00-915746-00004	Plate - Dicer 5/8 In. (15 mm).....	1
25	00-915746-00005	Plate - Dicer 3/4 In. (20 mm).....	1
26	00-915746-00006	Plate - Dicer 7/32 In. (6 mm).....	1
27	00-915746-00007	Plate - Dicer 1 In. (25 mm).....	1
28	00-915744-00001	Plate - Dicer Low 3/4 In. (20 mm).....	1
29	00-915744-00002	Plate - Dicer Low 1 In. (25 mm).....	1
30	00-915744-00003	Plate - Dicer Low 1/2 In. (12 mm).....	1
31	00-915744-00004	Plate - Dicer Low 5/8 In. (15 mm).....	1

