



Project _____
 AIA # _____ SIS # _____
 Item # _____ Quantity _____ C.S.I. Section 114000



FS SERIES FreshServe™ Integrated Self-Service Scale



SPECIFIER STATEMENT

The FS Series self-service scale is an integrated solution for self-serve applications. It will automatically weigh, compute a price from stored PLUs and print a label, or print a barcode/QR code to the screen. It includes an engaging touchscreen, an integrated printer, and removable bowl. Optional features include a barcode scanner, image recognition camera, and ValueMax™ level compensation technology.

MODELS

Model	Size
<input type="checkbox"/> FS-100	Tall
<input type="checkbox"/> FS-200	ADA Height
<input type="checkbox"/> FS-300	Table Top

See Model Table for alternate model configurations and optional features.

STANDARD FEATURES

- + Integrated scale/printer
- + 3 sizes for greater flexibility
- + Linerless or die cut labels in same unit
- + Largest available label roll
- + Intuitive graphical user interface
- + Customizable flash keys/categories/best sellers
- + Built-in wireless and wired Ethernet standard
- + Search by image, description, or PLU
- + Customize home screen with store logo, merchandising, etc.
- + Removable, corrosion resistant bowl
- + Remote access and updates capability


OPTIONAL FEATURES (Available at extra cost)

- Image recognition
- Barcode scanner
- ValueMax™ level compensation

TYPICAL LOCATIONS

- + Fresh Produce
- + Picker Location
- + Bulk Foods
- + Salad Bar
- + Bagel Kiosk
- + Bulk Candy, Nuts, etc.

SOFTWARE

- + Linux embedded operating system 
- + Interfaces with scale management software such as:
 - Invafresh EPLUM
 - ADC's Interscale
 - Hobart HCT
 - Hobart HTe software
 - Easy to use customer interface/intuitive
 - Onscreen Media Promotions (slideshow, videos)
 - Remote Access/Remote Monitor
 - Remote updates

FS SERIES – FreshServe™ INTEGRATED SELF-SERVICE SCALE

Approved by _____ Date _____ Approved by _____ Date _____



TECHNICAL SPECIFICATIONS

- + 14" touch screen display - WSVGA TFT LCD, LED backlit, 5 wire resistive type
- + 3 size options:
 - Tall – 53.73" height
 - ADA Height – 41.73" height
 - Table Top – 29.73" height
- + Dual-core processor
- + 2GB DDR3 RAM memory
- + 32GB micro SD for storage
- + Both 802.3 10/100 Mbps Ethernet and 802.11 a/b/g/n/ac wireless out of box
- + Bluetooth 2.1 optional
- + High resolution thermal printhead for detailed graphics (store logos) and smaller bar codes – 203 dpi (8 dots per mm)
- + Accepted labels:
 - 2.25" width
 - Linerless or die cut
 - Up to 6.25" label roll diameter
 - 1.50" label core

SPECIFICATIONS

- Bowl:** 9.25" width x 13.9" length
- Weigher Capacity:**
 - 0 lb. - 12 lb. x 0.005 (0 - 6 kg x .002 kg)
 - 12 lb. - 30 lb. x 0.01 (0 - 15 kg x .005 kg)
- Pricing Capacity:** Up to 999.99 in steps of .01
- Electrical:** 100-240 volts, 50-60 Hz, single phase, 1.42 amps, 170 watts max. 9 foot standard cord cap with ground type plug furnished.
- Media Support:** MPEG4, AAC, AVC/H.264
- Weights and Measures Certification:**
 - + USA Certification – 22-078
- Environment:** Operating temperature limits are 14°F (-10°C) to 104°F (40°C) ambient. Scale operates satisfactorily in relative humidity of 10 to 85%.

MODEL TABLE			
Scale Device	Size	Item Identification	ValueMax™
FS-100	Tall	—	—
FS-10V		—	ValueMax™
FS-1B0		Barcode Scanner	—
FS-1BV		Barcode Scanner	ValueMax™
FS-1E0		Image Recognition	—
FS-1EV		Image Recognition	ValueMax™
FS-200	ADA Height	—	—
FS-20V		—	ValueMax™
FS-2B0		Barcode Scanner	—
FS-2BV		Barcode Scanner	ValueMax™
FS-2E0		Image Recognition	—
FS-2EV		Image Recognition	ValueMax™
FS-300	Table Top	—	—
FS-30V		—	ValueMax™
FS-3B0		Barcode Scanner	—
FS-3BV		Barcode Scanner	ValueMax™
FS-3E0		Image Recognition	—
FS-3EV		Image Recognition	ValueMax™



DETAILS AND DIMENSIONS

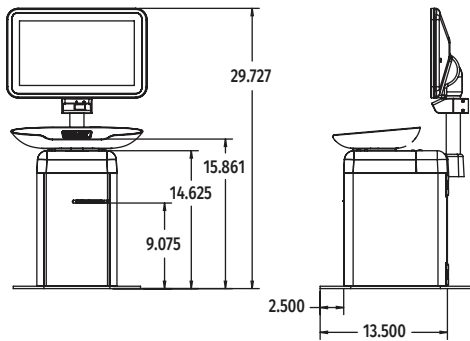
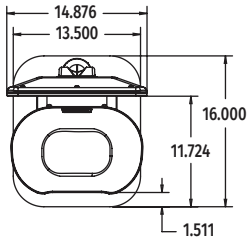
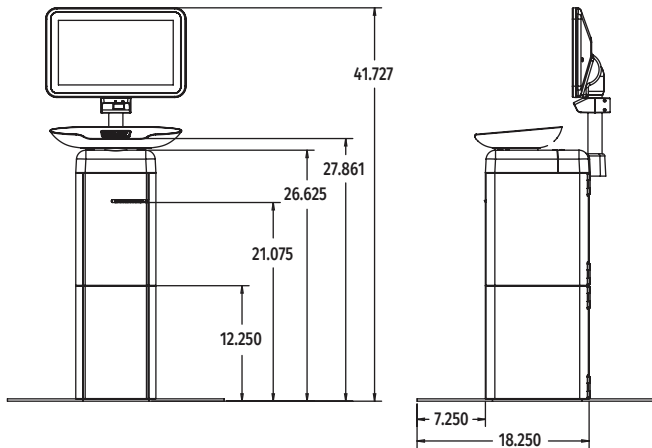
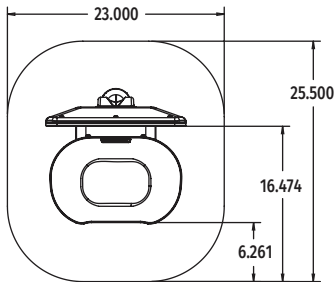
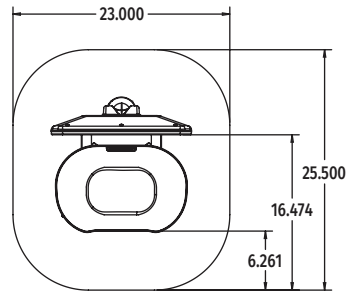
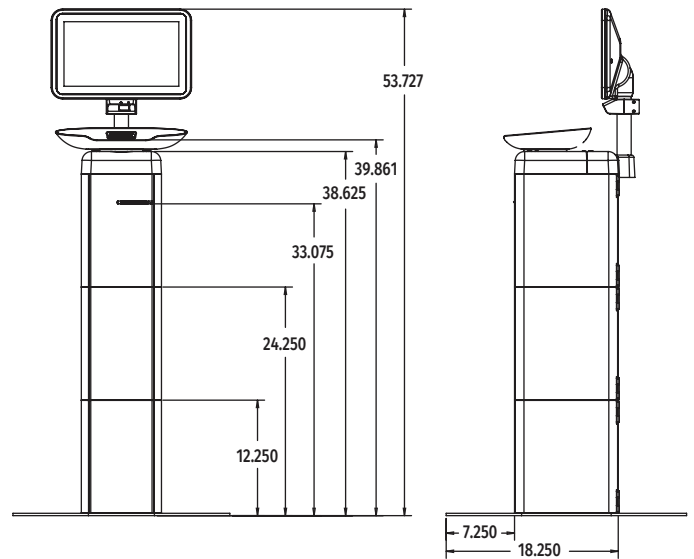


Table Top



ADA Height



Tall

As continued product improvement is a policy of Hobart, specifications are subject to change without notice.